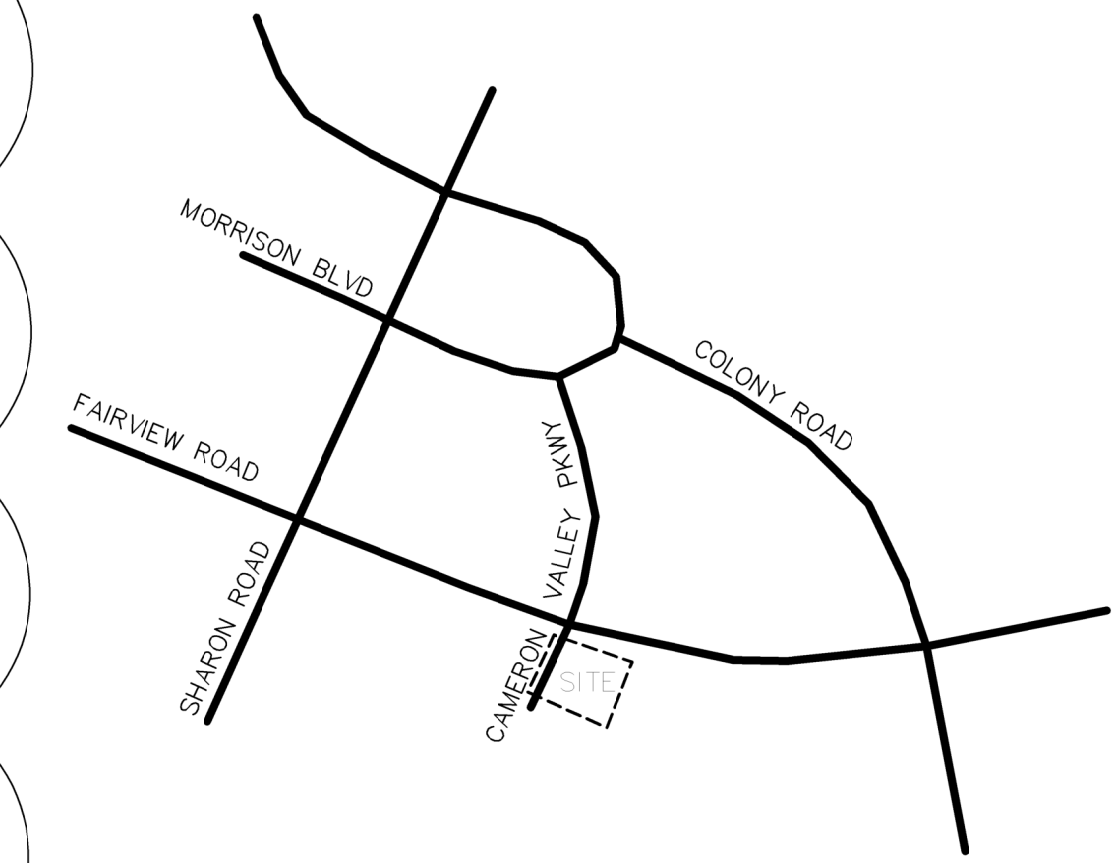


CURVE	RADIUS	ARC LENGTH	CHORD LENGTH	BEARING
C1	1152.75'	74.24'	74.22'	N 20° 09' 31" E
C2	781.17'	123.14'	123.01'	N 13° 47' 52" E
C3	111.00'	13.88'	13.87'	S 12° 51' 51" W

LINE	BEARING	DISTANCE
L1	S 68° 42' 38" E	47.2'
L2	S 81° 41' 43" E	34.6'
L3	N 68° 37' 41" W	45.5'
L4	N 21° 22' 18.9" E	122.92'
L5	N 21° 22' 19" E	27.6'
L6	S 68° 50' 52" E	160.33'

VICINITY MAP NTS



4725 PIEDMONT ROW DRIVE
SUITE 800
CHARLOTTE, NC 28210
(704) 714-7600
www.lincolnharris.com



227 WEST TRADE STREET SUITE 700
CHARLOTTE, NORTH CAROLINA 28202
TEL. 704.333.6686 FAX 704.333.2926
WWW.LS3P.COM

LEGEND

- EXISTING ACCESS TO REMAIN
- REZONING BOUNDARY**
- PARCEL BOUNDARY
- EASEMENT
- SETBACK
- EXISTING OPEN SPACE
- ADDITIONAL OPEN SPACE
- DEVELOPMENT AREA

**REZONING BOUNDARIES TO FOLLOW PARCEL LINES U.N.O.

PHILLIPS PLACE REZONING

DATE: 13 DECEMBER 2021
PETITION NO: 2021-151

SITE DEVELOPMENT DATA

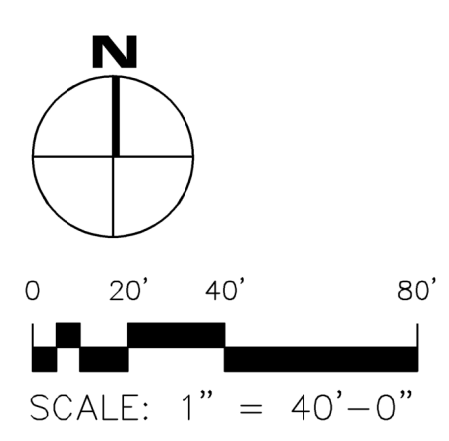
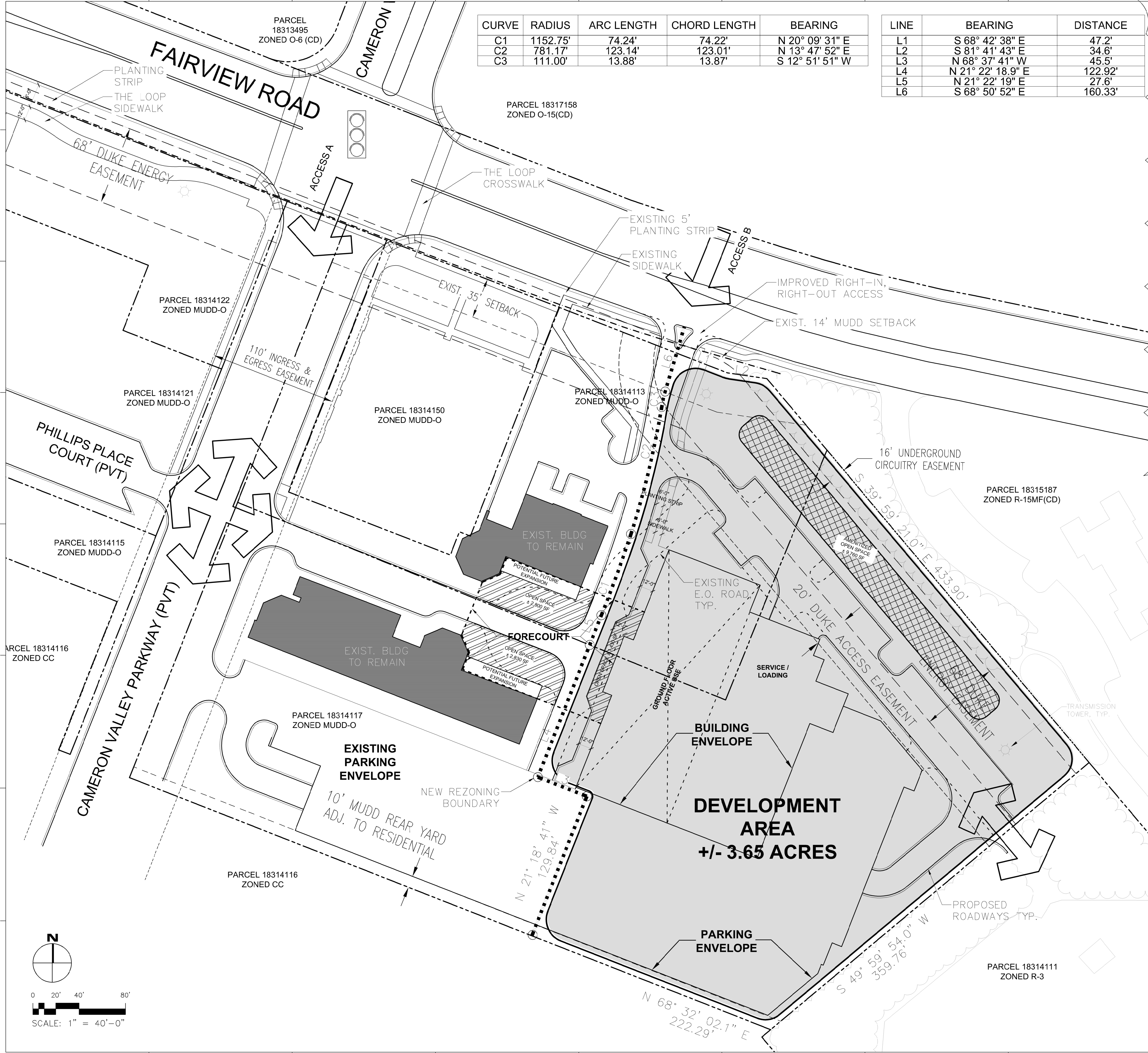
ACREAGE: ± 3.65 AC
 TAX PARCELS: 183-141-13
 183-141-17
 EXISTING ZONING: MUDD-O
 PROPOSED ZONING: MUDD-O SPA
 EXISTING USES: Commercial
 PROPOSED USES: Uses permitted by right and under prescribed conditions together with accessory uses, as allowed in the MUDD zoning district not otherwise limited in the Rezoning Plan.
 MAX. DEVELOPMENT: Up to 250,000 square feet of office uses; and Up to 20,000 square feet of retail, EDEE or personal service or other commercial uses.
 MAX. BLDG. HEIGHT: Up to 250 feet, per the Optional Provision in Section II
 PARKING: As required by the Ordinance for the MUDD zoning district.

REVISIONS:

No.	Description	Date
1	REVISIONS PER STAFF REVIEW COMMENTS	11/15/21
2	REVISIONS PER STAFF REVIEW COMMENTS	12/13/21

TECHNICAL DATA SHEET

RZ-1



Site Development Data:

- Acreage: ± 3.65
- Tax Parcels: Portions of parcels 183-141-13 and 183-141-17
- Existing Zoning: MUDD-O
- Proposed Zoning: MUDD-O SPA
- Existing Uses: Commercial
- Proposed Uses: Uses permitted by right and under prescribed conditions together with accessory uses, as allowed in the MUDD zoning district not otherwise limited in the Rezoning Plan.
- Maximum Development:
 - a. Up to 250,000 square feet of office uses; and
 - b. Up to 20,000 square feet of retail, EDEE or personal service or other commercial uses.
- Maximum Building Height: 250 feet, per the Optional Provision in Section II
- Parking: As required by the Ordinance for the MUDD zoning district.

I. General Provisions:

- a. **Site Description.** These Development Standards and the Technical Data Sheet form the rezoning plan (hereafter collectively referred to as the "Rezoning Plan") associated with the Rezoning Petition filed by Lincoln Harris ("Petitioner") to accommodate development of a mixed-use building on an approximately 3.65-acre site located at the eastern terminus of Phillips Place Court, more particularly described as portions of Mecklenburg County Tax Parcel Numbers 183-141-13 and 183-141-17 (the "Site").
- b. **Intent.** This Rezoning is intended accommodate development on the Site of a pedestrian-focused mixture of MUDD-permitted uses including but not limited to office, retail and other commercial uses integrated in the Phillips Place development.
- c. **Zoning Districts/Ordinance.** Unless otherwise requested in the Optional Provisions, below, development of the Site will be governed by the Rezoning Plan as well as the applicable provisions of the City of Charlotte Zoning Ordinance (the "Ordinance").

II. Optional Provisions

The Petitioner requests the ability to exceed the height provisions in Section 9.8505(5) for a total of 250 feet of building height, measured from Phillips Place Court at front of building.

III. Permitted Uses

Subject to the Maximum Development provisions set forth under Section IV below, the Site may be devoted to any non-residential uses permitted by right or under prescribed conditions in the MUDD Zoning District, together with any incidental or accessory uses associated therewith.

IV. Maximum Development and Restrictions

- a. Subject to the restrictions, limitations, and conversion rights listed below, the principal buildings constructed may be developed with up to: (i) 250,000 square feet of gross floor area of office uses (which, for the sake of clarity, shall also include club uses) and (ii) 20,000 square feet of retail, personal service, EDEE, and other non-residential uses permitted by right and under prescribed conditions in the MUDD zoning district, along with any accessory uses allowed in the MUDD zoning district. 2
- b. **Prohibited Uses:** Car washes (except for residential car wash stations); Automobile Service Stations; EDEEs with accessory drive-through service windows.
- c. **Conversion Rights:**
 - 1. Unused office uses may be converted to specialty retail at an equal rate of one (1) square foot to one (1) square foot, however the total amount of retail shall not exceed 40,000 square feet.
 - 2. Unused office space may be converted to lodging uses at a rate of 500 square feet to 1 room so converted.

V. Transportation

- a. Vehicular access will be as generally depicted on the Rezoning Plan. The placements and configurations of the vehicular access points shown on the Rezoning Plan are subject to any minor modifications required to accommodate final site and construction plans and designs and to any adjustments required by CDOT for approval.
- b. Petitioner shall construct a bus shelter pad and waiting pad per Land Development Standard 60.03A along Fairview Road. The final location of the pads shall be coordinated with CATS through the permitting process. 2
- c. Petitioner shall provide an internal sidewalk and planting strip where not already provided.
- d. Where necessary, the Petitioner shall dedicate and convey in fee simple all rights-of-way to the City of Charlotte before the Site's first building certificate of occupancy is issued.
- e. Unless otherwise stated herein, all transportation improvements shall be approved and constructed prior to the issuance of

the Site's first building certificate of occupancy.

VI. Design Guidelines:

a. **General Design Guidelines.**

1. The principal buildings constructed on the Site may use a variety of building materials. The building materials used for buildings will be a combination of any of the following: glass, brick, metal, stone, simulated stone, pre-cast stone, architectural precast concrete, synthetic stone, stucco/E.I.F.S., cementitious siding (such as hardi-plank), or wood/composite wood. Vinyl, as a building material, will only be allowed on windows, soffits and trim features.
2. If structured parking is developed, exposed multi-level parking decks shall provide screening so that the view of interior lighting and cars is obscured from required public or private streets through the use of decorative louvers, architectural panels, metal and/or precast concrete barrier walls.
3. Meter banks shall be located outside of the setback.
4. All dumpster enclosure areas shall be internal to the building/parking deck or screened from network required public or private streets with materials complimentary to the principal structure.
5. Building height above one-hundred twenty feet (120) feet shall include a minimum stepback of ten (10) feet from the building façade line. Such stepback shall occur above the ground story and no higher than the 5th story.
6. Building articulation:
 - 6.a. At least 70% of the total ground floor height shall meet the following ground floor height requirement: The floor-to-floor ground floor height shall be a minimum of sixteen (16) feet.
 - 6.b. A maximum of twenty (20) feet of blank wall area (horizontal or vertical) shall be provided along the primary building façade(s).
 - 6.c. A maximum distance of seventy-five (75) feet shall be permitted between prominent entrances along the primary building façade(s).
 - 6.d. The vertical distance between the building entry and sidewalk: 50% of the required prominent entrances along the sidewalk/building exterior shall meet grade.
 - 6.e. Ground floor transparency area (measured 3' to 10' from finished grade): A minimum of 60% of the primary building façade(s).
 - 6.f. Upper floor transparency (% wall area of story): A minimum of 40% for primary building façade(s).

VII. Loop, Open Space and Amenity Areas

1. The Petitioner will install the proposed Loop as generally depicted on the Rezoning Plan
2. The Petitioner will provide a "forecourt" a minimum 7,000 square feet of improved urban open space areas at the main entrance to the building, as generally depicted on the Rezoning Plan, to include specialty pavers and a minimum of two (2) of the following amenities: seating area, fountain, public art, picnic tables, benches, enhanced landscaping pergolas and/or trellis areas.
3. The Petitioner will provide a minimum 9,000 square feet of amenitized urban open space area, as generally depicted on the Rezoning Plan, to include a minimum of two (2) of the following amenities: seating area, public art, picnic tables, benches, dog facilities, fitness amenities, and/or enhanced landscaping. 2

VII. Environmental Features

- i. The Petitioner shall comply with the Post Construction Stormwater Ordinance.
- j. The Petitioner shall comply with the Tree Ordinance.

IX. Signage

Shall comply with Ordinance standards for the MUDD Zoning District. Main Anchor Tenant shall be allowed 500 s.f. of wall signage at the top of the building on each different face. All signage below shall comply with Ordinance.

X. Lighting:

All necessary lighting shall be full cut-off type lighting fixtures. Decorative lighting may be installed on buildings for pedestrian and vehicular circulation along the driveways, sidewalks, and parking areas. Exterior accent/architectural lighting shall be permitted. 1

XI. Easement Area

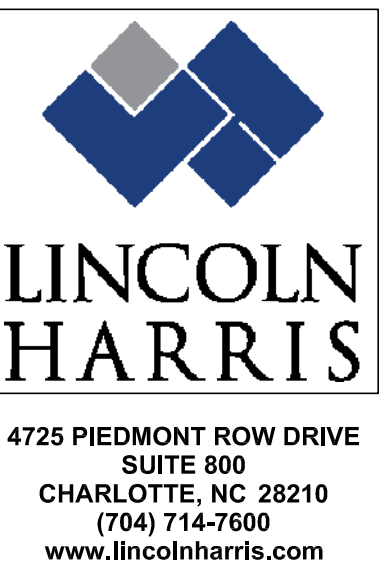
Except for minor areas as shown on the Rezoning Plan to be resolved with the easement holder, Petitioner shall not extend development into the area marked as the Duke Energy Easement to allow for space for streetscape improvements in the future to be constructed by others in coordination with the easement holder.

XII. Amendments to the Rezoning Plan:

Future amendments to the Rezoning Plan may be applied for by the then Owner or Owners of the applicable Lot of the Site affected by such amendment in accordance with the provisions herein and of Section 6.207 of the Ordinance.

XIII. Binding Effect of the Rezoning Application:

If this Rezoning Petition is approved, all conditions applicable to the development of the Site imposed under the Rezoning Plan will, unless amended in the manner provided herein and under the Ordinance, be binding upon and inure to the benefit of the Petitioner and subsequent owners of the Site or Lot(s), as applicable, and their respective heirs, devisees, personal representatives, successors in interest or assigns.



227 WEST TRADE STREET SUITE 700
CHARLOTTE, NORTH CAROLINA 28202
TEL. 704.333.6686 FAX 704.333.2926
WWW.LS3P.COM

**PHILLIPS PLACE
REZONING**

DATE: 13 DECEMBER 2021
PETITION NO: 2021-151

REVISIONS:

No.	Description	Date
1	REVISIONS PER STAFF REVIEW COMMENTS	11/15/21
2	REVISIONS PER STAFF REVIEW COMMENTS	12/13/21

**DEVELOPMENT
STANDARDS**

RZ-2