



Addendum No. 2

Date: *June 5, 2023*

Solicitation Number: *FY23-ITBCON-36*

Title: *Delane Avenue 1220 Storm Drainage Improvement Project*

Issued by: *Katherine Osborne*
Katherine.Osborne@charlottenc.gov

Bidders should acknowledge receipt of this addendum on the Execution of Bid Form. Failure to acknowledge receipt of this addendum may result in the bid not being considered.

All Bidders are responsible for monitoring CLTWater's Contracting Opportunities website (<https://www.charlottenc.gov/Growth-and-Development/Doing-Business>) for additional changes or clarifications.

Modifications to the Invitation to Bid:

| # | ITB Section # and Name | Page | Modification |
|---|------------------------|------|--|
| 1 | DESIGN PLANS | TCP1 | TCP1 is hereby replaced in its entirety with the attached TCP1. This change updates Diagram 29 to Diagram 26 on TCP1. |

Questions and Responses

1. **Question:** I would like some clarification on the traffic control in the Delane Ave. SDIP project. The plan says to use WATCH diagram #29 but that is for closing lanes in a multi lane intersection. It doesn't seem to fit the conditions on this site. Will it be acceptable to install road closures and detours around our work areas more similar to Diagram #26??

Response: Attached is the updated Sheet TCP1.

----- END OF ADDENDUM NO. 2 -----

ATTACHMENTS

- TCP1

TRAFFIC CONTROL GENERAL NOTES

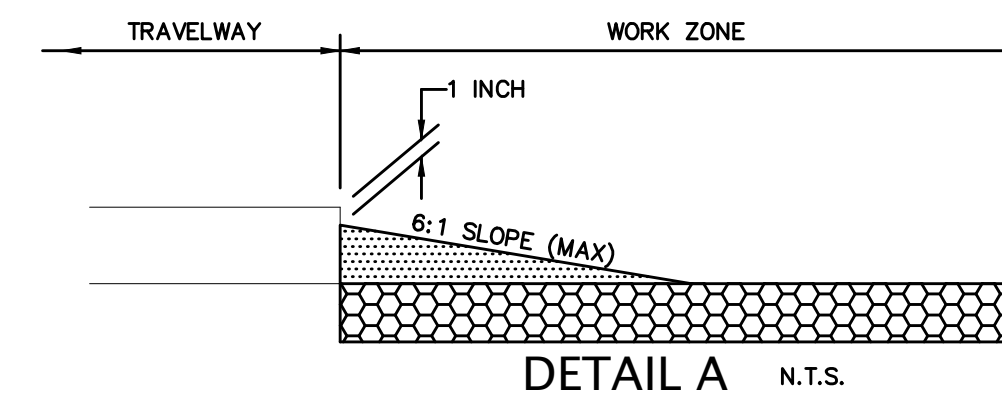
- A) ALL TRAFFIC CONTROL DEVICES SHALL CONFORM TO THE REQUIREMENTS OF THE MOST CURRENT EDITIONS OF THE CHARLOTTE DEPT. OF TRANSPORTATION(CDOT) WORK AREA TRAFFIC CONTROL HANDBOOK(W.A.T.C.H.), THE MANUAL ON UNIFORM TRAFFIC CONTROL DEVICES(M.U.T.C.D.), THE NORTH CAROLINA DEPARTMENT OF TRANSPORTATION(NCDOT) SUPPLEMENT TO THE M.U.T.C.D., THE NCDOT ROADWAY STANDARD DRAWINGS AND THE CURRENT EDITION OF THE NCDOT STANDARD SPECIFICATIONS FOR ROADS AND STRUCTURES.
- B) THE CONTRACTOR IS TO NOTIFY CDOT IN WRITING 10 WORKING DAYS IN ADVANCE OF ANY ROAD CLOSURE OR 5 WORKING DAYS PRIOR TO CLOSING ONE OR MORE TRAVEL LANES IN ACCORDANCE WITH THE SECTION "APPROVAL AND NOTIFICATION REQUIREMENT FOR WORK IN THE PUBLIC RIGHT-OF-WAY OF THE W.A.T.C.H. HANDBOOK.
- C) ALL SIGNAL REVISIONS OR SHIFTS OF SIGNAL HEADS WILL BE THE RESPONSIBILITY OF CDOT; PRIOR TO REVISIONING TRAFFIC LANES WHICH REQUIRE SIGNAL REVISIONS, THE CONTRACTOR SHALL NOTIFY THE CDOT IMPLEMENTATION SECTION MANAGER (GUS JORDI / 336-7086) OR HIS REPRESENTATIVE A MINIMUM OF 30 CALENDAR DAYS IN ADVANCE. TRAFFIC LANES SHALL NOT BE SHIFTED UNTIL THE REQUIRED SIGNAL REVISION SHIFT IS COMPLETE AND READY FOR ACTIVATION. ALL COMPLETE RESTRINGS OR NEW TRAFFIC SIGNALS REQUIRE 60 CALENDAR DAYS NOTICE.
- D) THE CONTRACTOR SHALL BE REQUIRED TO FURNISH, INSTALL, RELOCATE, AND MAINTAIN ALL TRAFFIC CONTROL DEVICES, SIGNS, BARRICADES, WARNING AND/OR CHANNELIZING DEVICES FOR WORK SITES AND DETOUR ROUTES AS SHOWN IN TRAFFIC CONTROL PLANS UNLESS OTHERWISE SPECIFIED BY THE ENGINEER.
- E) CONSTRUCTION PHASING MAY DICTATE THAT TWO OR MORE TYPICAL W.A.T.C.H. DIAGRAMS OR STANDARDS BE USED IN ONE AREA OF CONSTRUCTION. CHANNELIZING DEVICES ASSOCIATED WITH THESE TYPICALS SHALL BE MOVED, SUPPLEMENTED, CHANGED, OR REMOVED AS NECESSARY TO COMPLY WITH THE CONSTRUCTION PHASING OF THE PLANS. THE LOCATION AND POSITIONING OF THESE DEVICES SHALL BE APPROVED BY THE ENGINEER TO ENSURE THAT THE MOTORIST DOES NOT RECEIVE FALSE INFORMATION WHEN TWO OR MORE TYPICALS AND/OR ROADWAY STANDARD DRAWINGS OVERLAP.
- F) CONTRACTOR SHOULD BE AWARE THAT WHEN THE CONSTRUCTION AREA IS IN OR NEAR A VERTICAL CREST OR HORIZONTAL CURVE, THE WORK AREA SHALL BE EXTENDED SO THAT LANE CLOSURE BEGINS IN ADVANCE OF THE CURVE AND MINIMUM STOPPING SIGHT DISTANCE IS MET.
- G) OFF-DUTY POLICE OFFICERS MAY BE REQUIRED AS DIRECTED BY THE ENGINEER TO BE PRESENT FOR CONTROLLING TRAFFIC DURING CONSTRUCTION HOURS.
- H) THE CONTRACTOR SHALL MARK ALL HAZARDS WITHIN THE LIMITS OF THE PROJECT WITH WELL-MAINTAINED SIGNS, BARRICADES, WARNING AND/OR CHANNELIZING DEVICES. ON CONNECTING ROADS, ALL BARRICADES, SIGNS, WARNING, AND/OR CHANNELIZING DEVICES SHALL BE MOVED, SUPPLEMENTED, CHANGED, OR REMOVED AS REQUIRED DURING THE PROGRESS OF CONSTRUCTION AS APPROVED BY THE ENGINEER.
- I) WORK ON THE PROJECT OR ANY SEPARATE ACTIVITY THEREIN SHALL NOT START UNTIL ALL OF THE REQUIRED SIGNS, BARRICADES, WARNING, AND/OR CHANNELIZING DEVICES ARE INSTALLED AND APPROVED BY THE ENGINEER.
- J) THE CONTRACTOR SHALL CONTACT GUS JORDI, IMPLEMENTATION SECTION MANAGER (704-336-7086) WITH THE CITY OF CHARLOTTE DEPARTMENT OF TRANSPORTATION (CDOT) TWO WEEKS PRIOR TO BEGINNING ANY WORK.
- K) THE CONTRACTOR MUST MAINTAIN DURING ALL PERIODS OF CONSTRUCTION ACTIVITY THE ABILITY TO FLAG TRAFFIC USING QUALIFIED FLAGGERS WHEN NECESSARY OR REQUIRED
- L) THE CONTRACTOR SHALL INSTALL TEMPORARY PAVEMENT MARKINGS AND ADDRESS CONFLICTING PAVEMENT MARKINGS IN ACCORDANCE WITH THE SECTION "TEMPORARY TRAFFIC CONTROL ZONE DEVICES" OF THE W.A.T.C.H. HANDBOOK OR AS DIRECTED BY THE ENGINEER. THE CONTRACTOR SHALL MAINTAIN ANY EXISTING PAVEMENT MARKINGS UNLESS OTHERWISE DIRECTED BY THE ENGINEER.
- M) THE CONTRACTOR SHALL MAINTAIN TWO WAY TRAFFIC ON ALL PORTIONS OF THIS PROJECT UNLESS OTHERWISE SPECIFIED IN THE PLANS, PROJECT NOTES, OR BY THE ENGINEER. FOR ALL APPROVED ROAD AND LANE CLOSURES, THE CONTRACTOR MUST NOTIFY GUS JORDI, IMPLEMENTATION SECTION MANAGER (704-336-7086) OR REPRESENTATIVE A MINIMUM OF TEN WORKING DAYS PRIOR TO THE ROAD CLOSING, AND FIVE WORKING DAYS PRIOR TO A 24-HOUR/PEAK HOUR LANE CLOSURE.
- N) CONTRACTOR WILL BE REQUIRED TO PROVIDE PROPERTY OWNERS AND TENANTS ACCESS TO THEIR PROPERTY THROUGHOUT THE PROJECT LIMITS, INCLUDING REASONABLE INGRESS AND EGRESS FOR BUSINESSES. SPECIAL ATTENTION SHALL BE PAID TO FIRE HYDRANTS.
- O) THE CONTRACTOR IS TO NOTIFY (BY MAIL) ALL PROPERTY OWNERS AND OCCUPANTS WHO HAVE DIRECT ACCESS TO THE ROADWAY WITHIN THE PROJECT LIMITS A MINIMUM OF 5 AND A MAXIMUM OF 10 WORKING DAYS PRIOR TO INSTALLING TRAFFIC CONTROL DEVICES IN FRONT OF THOSE PROPERTIES. NOTIFICATIONS SHOULD INCLUDE CONTACT PERSONS NAME, TELEPHONE NUMBER, EMAIL ADDRESS, AND MAILING ADDRESS.
- P) THE CONTRACTOR SHALL PATROL THE WORK SITE AT THE BEGINNING AND END OF EACH WORK DAY (AT A MINIMUM) TO ENSURE THAT ALL TRAFFIC CONTROL DEVICES ARE IN PLACE AND FUNCTIONING PROPERLY. CONTRACTOR SHALL ENSURE THAT ALL TRAFFIC CONTROL DEVICES ARE IN PLACE AND FUNCTIONING AT ALL TIMES DURING PERIODS OF CONSTRUCTION INACTIVITY.
- Q) DURING PERIODS OF INACTIVITY OR AT NIGHT, EQUIPMENT SHALL NOT BE PARKED IN SUCH A MANNER AS TO BLOCK SIDEWALKS, TRAFFIC CONTROL DEVICES, OR THE MOTORISTS' VIEW OF TRAFFIC. EQUIPMENT SHALL BE AT LEAST 10 FEET AWAY FROM THE TRAVEL LANE. EQUIPMENT SHALL NOT BLOCK SIDEWALKS AT ANY TIME UNLESS THE SIDEWALK ITSELF IS UNDERGOING CONSTRUCTION.
- R) WHENEVER TRAFFIC MUST BE ROUTED ACROSS THE CENTERLINE DURING CONSTRUCTION ACTIVITY, THE TWO OPPOSING DIRECTIONS MUST BE PHYSICALLY SEPARATED. TRAFFIC CONES CAN BE USED FOR THIS PURPOSE DURING DAYLIGHT HOURS; REFLECTORIZED CONES OR DRUMS MUST BE USED AT NIGHT. TRAFFIC SHALL NOT BE ROUTED ACROSS THE CENTERLINE DURING CONSTRUCTION INACTIVITY UNLESS PAVEMENT MARKING CONFLICTS ARE APPROPRIATELY ADDRESSED AND AGREEMENT ON REMOVAL OR NOT IS WORKED OUT WITH THE ENGINEER IN ACCORDANCE WITH THE SECTION "DURATION OF WORK" OF THE W.A.T.C.H. HANDBOOK. IF THE ENGINEER APPROVES TRAFFIC TO CROSS THE CENTER LINE DURING CONSTRUCTION INACTIVITY, ONLY REFLECTORIZED DRUMS MUST BE USED.
- S) THE CITY ENGINEER OR DIRECTOR OF THE CHARLOTTE DEPARTMENT OF TRANSPORTATION OR THEIR APPOINTED REPRESENTATIVES ARE AUTHORIZED TO STOP ANY WORK WITHIN PUBLIC RIGHT OF WAY THAT DOES NOT FOLLOW THIS TRAFFIC CONTROL PLAN OR REQUIREMENTS OF THE W.A.T.C.H. AND THE M.U.T.C.D. UNTIL SUCH REQUIREMENTS ARE MET.
- T) ADJACENT LANES TO CONSTRUCTION ZONES MAY REMAIN OPEN IF LATERAL CLEARANCE BETWEEN EDGE OF TRAVEL LANE AND EQUIPMENT IS EQUAL TO OR GREATER THAN 2 FEET (INCLUDING WIDTH OF DRUM). IF A DROPOFF EXISTS WITHIN THE WORK ZONE, CONTRACTOR SHOULD FOLLOW THE SECTION "MISCELLANEOUS CONSIDERATIONS" OF THE W.A.T.C.H. HANDBOOK PERTAINING TO ADJACENT LANE CLOSURES DUE TO DROPOFFS.
- U) THE CONTRACTOR SHALL FOLLOW THE PHASING AS DESCRIBED HEREIN. THE CONTRACTOR SHALL COMPLETE THE REQUIREMENTS OF EACH CONSTRUCTION PHASE IN SEQUENCE. WHEN A CONSTRUCTION PHASE IS DIVIDED INTO STEPS, THE CONTRACTOR SHALL COMPLETE THE REQUIREMENTS OF EACH STEP IN SEQUENCE. (EXAMPLE: THE REQUIREMENTS OF PHASE I SHALL BE COMPLETED BEFORE PROCEEDING TO PHASE II; THE REQUIREMENTS OF STEP 1 OF PHASE I SHALL BE COMPLETED BEFORE PROCEEDING TO STEP 2 OF PHASE I). ALL WORK DESCRIBED IN THE PROJECT PHASING SHALL BE PERFORMED BY THE CONTRACTOR, EXCEPT WHERE IT IS SPECIFIED FOR CERTAIN WORK TO BE PERFORMED BY OTHERS.
- V) THE CONTRACTOR SHALL NOT BE ALLOWED TO STOP TRAFFIC FOR MORE THAN 5 MINUTES AT A TIME IN ANY ONE DIRECTION.
- W) CONTRACTOR SHALL NOT BE ALLOWED TO WORK ON BOTH SIDES OF THE ROAD SIMULTANEOUSLY WITHIN THE SAME AREA EXCEPT WHERE THE ROADWAY IS DIVIDED BY A RAISED MEDIAN AND PEDESTRIAN TRAFFIC IS MAINTAINED ON AT LEAST ONE SIDE UNIMPEDED. IT WILL BE ACCEPTABLE TO CONSTRUCT BORE PITS ON EACH SIDE OF A ROADWAY FOR BORING UTILITIES UNDER THE ROADWAY UNLESS SUPERCEDED BY ENGINEER TO COMPLY WITH PEDESTRIAN REQUIREMENTS OR LATERAL CLEARANCE FROM TRAVEL LANES.
- X) THE CONTRACTOR SHALL PAY SPECIAL ATTENTION TO THE SECTION "PEDESTRIAN CONSIDERATIONS" OF THE W.A.T.C.H.. PEDESTRIANS MUST NOT BE REQUIRED TO CROSS TO THE OTHER SIDE OF THE ROAD UNLESS THE ENGINEER AGREES THAT THERE IS NO ALTERNATE SAFE ROUTE ON THE SAME SIDE OF THE STREET. THE ALTERNATIVE PEDESTRIAN ROUTE IF APPROVED/USED MUST INCLUDE ACCESSIBILITY AND DETECTABLE FEATURES CONSISTENT WITH THE EXISTING PEDESTRIAN FACILITY.
- Y) THE CONTRACTOR SHALL PAY SPECIAL ATTENTION TO THE SECTION "TEMPORARY TRAFFIC CONTROL ZONE DEVICES" OF THE W.A.T.C.H.. NEITHER PORTABLE NOR PERMANENT SIGNS OR SIGN SUPPORT SHOULD OBSTRUCT SIDEWALKS UNLESS THE SIDEWALK ITSELF IS UNDERGOING CONSTRUCTION. A 4' MINIMUM CLEAR PATH MUST BE MAINTAINED WHEN A PORTABLE SIGN IS TO BE PLACED IN THE EXISTING SIDEWALK OTHERWISE, ROAD SIGNS SHOULD BE MOUNTED ON A POST WITH A MINIMUM VERTICAL CLEARANCE OF 7' FROM THE SURFACE OF THE SIDEWALK.

PROJECT NOTES

- 1. CONTRACTOR SHALL PROVIDE AND INSTALL ALL FINAL PAVEMENT MARKINGS. AND SHALL PROVIDE AND INSTALL ALL FINAL SIGNAGE.
 - 2. CONTRACTOR SHALL ONLY WORK ON ONE CORNER OF AN INTERSECTION AT A TIME.
 - 3. DURING THE HOURS OF 7:00 AM-9:00 AM AND 4:30 PM-6:00 PM MONDAY THRU FRIDAY CONSTRUCTION OR MAINTENANCE WORK WHICH INVOLVES CLOSURE OF A TRAVEL LANE WILL NOT BE ALLOWED ON THROUGHFARE STREETS EXCEPT FOR EMERGENCY SITUATIONS OR WITH APPROVAL FROM CDOT.
 - 4. THE CONTRACTOR SHALL LIMIT CONSTRUCTION TO ONE STREET AT A TIME, UNLESS OTHERWISE INSTRUCTED BY THE ENGINEER. THE CONTRACTOR SHALL LIMIT CONSTRUCTION TO ONE BLOCK EACH DAY IN ORDER TO DECREASE THE AMOUNT OF BACKFILL.
 - 5. CONTRACTOR SHALL REPLACE ALL PAVEMENT MARKINGS THAT ARE DAMAGED DURING CONSTRUCTION.
 - 6. INTERMEDIATE CONTRACT PERIOD (AS SHOWN BELOW) IS THE TOTAL PERMITTED CLOSURE DURATION FOR CONSECUTIVE WORK DAYS. CONTRACTOR MUST BEGIN AND COMPLETE ALL WORK REQUIRING LANE CLOSURE (INCLUDING SEWER, STORM DRAIN, ETC.) WITHIN THE CONTRACT PERIOD SPECIFIED.
- INTERMEDIATE CONTRACT PERIODS:**
- NO INTERMEDIATE CONTRACT PERIODS ARE SET FOR THIS PROJECT, ONLY AN OVERALL CONTRACT PERIOD.

CONSTRUCTION PHASING

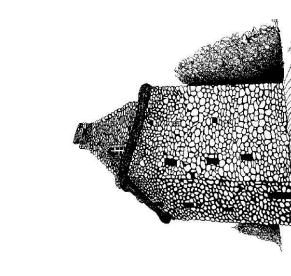
- PHASE 1 – SHEET 4**
INSTALL EROSION CONTROL MEASURES PER SHEET EC1.
GRADE OUTFALL, AND CONSTRUCT HW-1 PER SHEET 4.
INSTALL TRAFFIC CONTROL MEASURES ALONG DELANE AVE. PER DIAGRAM 9 (ONE LANE CLOSURE) OF THE W.A.T.C.H. MANUAL. MAINTAIN ACCESS TO THE DRIVEWAY AT 1215 DELANE AVE.
REPLACE SANITARY SEWER ADJACENT TO CB-2. INSTALL 24" RCP FROM HW-1 TO CB-2. CONSTRUCT CB-2.
- PHASE 2 – SHEETS 4 & 5**
INSTALL EROSION CONTROL MEASURES PER SHEET EC1.
INSTALL TRAFFIC CONTROL MEASURES ALONG DELANE AVE PER DIAGRAM 26 (ROAD CLOSURE) OF THE W.A.T.C.H. MANUAL. STORM DRAIN TO BE INSTALLED USING "ROLLING" ROAD CLOSURES AS WORK PROGRESSES.
RELOCATE 6" WATER MAIN AS SHOWN ON SHEETS 4 & 5.
INSTALL 15" RCP FROM CB-2 TO CB-2A. CONSTRUCT CB-2A.
INSTALL 15" RCP FROM CB-2 TO CB-7. INSTALL 15" RCP FROM CB-7 TO CB-7A. CONSTRUCT CB-7A.
INSTALL 15" RCP FROM CB-7 TO CB-10. CONSTRUCT CB-10.
- PHASE 3 – SHEET 4**
INSTALL EROSION CONTROL MEASURES PER SHEET EC1.
INSTALL TRAFFIC CONTROL MEASURES ALONG DELANE AVE PER DIAGRAM 26 (ROAD CLOSURE) OF THE W.A.T.C.H. MANUAL. STORM DRAIN TO BE INSTALLED USING "ROLLING" ROAD CLOSURES AS WORK PROGRESSES. MAINTAIN ACCESS TO THE DRIVEWAY AT PARCEL 1.
RELOCATE 6" WATER MAIN ALONG DELANE AVE AS SHOWN ON SHEET 4.
INSTALL 24" RCP FROM CB-2 TO JB-3. CONSTRUCT JB-3.
INSTALL 15" RCP FROM JB-3 TO CB-3B. CONSTRUCT CB-3B.
- PHASE 4 – SHEETS 4 & 6**
INSTALL EROSION CONTROL MEASURES PER SHEET EC1.
INSTALL TRAFFIC CONTROL MEASURES ALONG DELANE AVE PER DIAGRAM 26 (ROAD CLOSURE) OF THE W.A.T.C.H. MANUAL. STORM DRAIN TO BE INSTALLED USING "ROLLING" ROAD CLOSURES AS WORK PROGRESSES. MAINTAIN ACCESS TO THE DRIVEWAY AT 4104 CASTLETON RD AND 4106 CASTLETON RD.
RELOCATE 6" WATER MAIN AS SHOWN ON SHEETS 4 AND 6.
INSTALL 24" RCP FROM JB-3 TO CB-4. CONSTRUCT CB-4.
INSTALL 15" RCP FROM CB-4 TO CB-4A. CONSTRUCT CB-4A.
INSTALL 18" RCP FROM CB-4 TO CB-5. CONSTRUCT CB-5.
INSTALL 15" RCP FROM CB-5 TO CB-5A. CONSTRUCT CB-5A.
INSTALL 15" RCP FROM CB-5 TO CB-6A. CONSTRUCT CB-6A.



600 East 4th Street Charlotte, NC 28202

| NO. | DATE | BY | DESCRIPTION |
|-----|--------|----|---------------------------------------|
| 1 | 6-5-23 | JL | UPDATED WATCH DIAGRAM FROM 429 TO 426 |

Plans Prepared By:
Armstrong Glen, P.C.
9771 -D Southern Pine Boulevard
P.O. Box 7326
Charlotte, NC 28241
Phone: 704-529-0345
Fax: 704-529-1863
License #: C-1866



DELANE AVE 1220

TRAFFIC CONTROL NOTES

SHEET
TCPI
OF
16