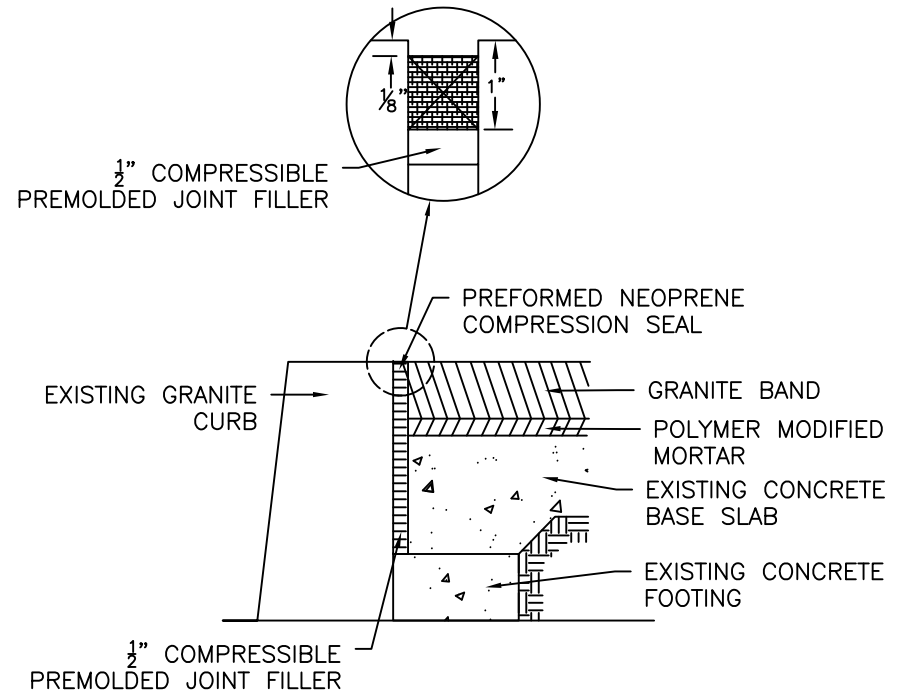


TYPICAL STONE COLUMN DRAINAGE WEEP



TYPICAL EXPANSION JOINT ON CONCRETE
BASE SLAB AND CURB

NOTES:

1. SURFACE OF CONCRETE BASE SLAB TO BE LOWERED BY GRINDING OR OTHER MEANS TO OBTAIN 12 INCH STRIP OF GEOGRID SURFACE DRAINAGE LAYER

NOT TO SCALE



CITY OF CHARLOTTE
LAND DEVELOPMENT STANDARDS
INCLUDES CHARLOTTE ETJ

PRECAST CONCRETE PAVERS
FOR UPTOWN STREETSCAPE

STD. NO.	REV.
50.01C	23