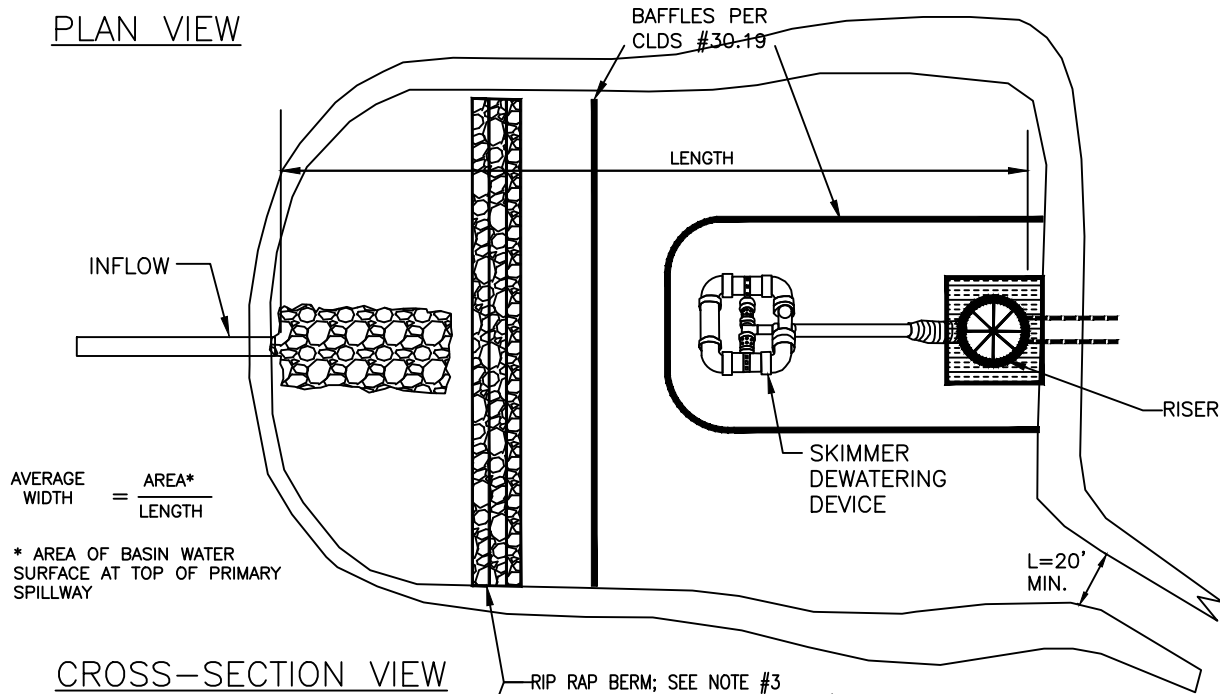


SEDIMENT BASIN DESIGN CRITERIA	
DRAINAGE AREA (ACRES)	>10 AC. <100 AC.
MIN. LENGTH TO WIDTH RATIO	2:1
MAX. LENGTH TO WIDTH RATIO	6:1
MIN. VOLUME REQUIRED	1800 (CU. FT. PER AC. DISTURBED)
SURFACE AREA REQUIRED	435 (SQ. FT. PER CFS Q10)

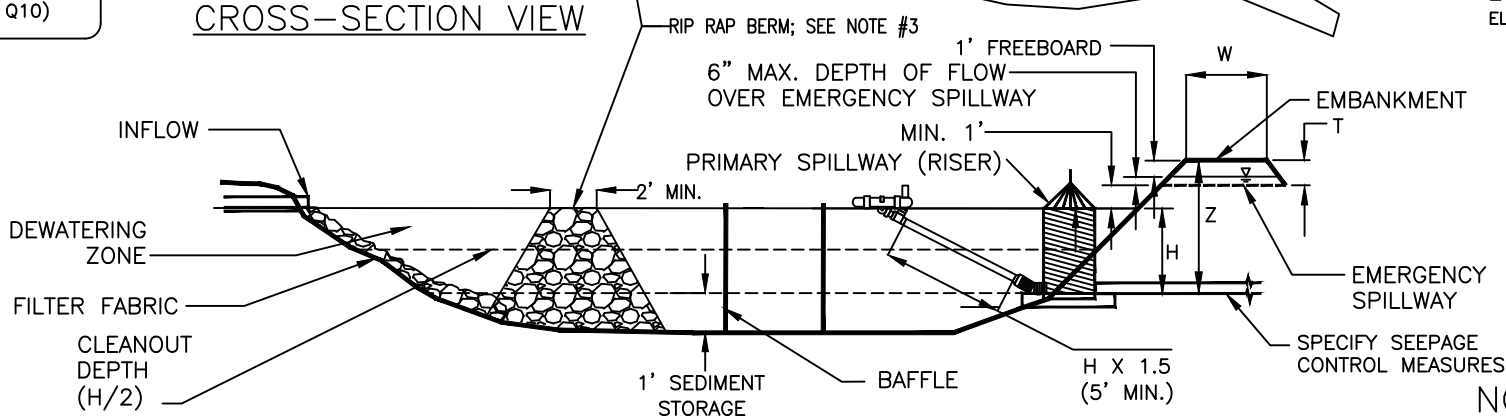
PLAN VIEW



$$\text{AVERAGE WIDTH} = \frac{\text{AREA}^*}{\text{LENGTH}}$$

* AREA OF BASIN WATER SURFACE AT TOP OF PRIMARY SPILLWAY

CROSS-SECTION VIEW



NOTES:

1. REFER TO NCESCPDM SECTION #6.61 FOR ADDITIONAL DESIGN SPECIFICATIONS REGARDING SEDIMENT BASINS.
2. REFER TO STD. #30.19 FOR BAFFLE SPACING AND INSTALLATION.
3. FIRST BAFFLE IS TO BE CONSTRUCTED OF RIP-RAP, WITH A MIN. HEIGHT OF 3' AND MIN. TOPWIDTH OF 2'.
4. TURBIDITY CURTAIN (CLDS #30.23) MAY BE USED IN LIEU OF POROUS BAFFLES (CLDS #30.19).
5. FLASHBOARD RISER NOT PERMITTED FOR USE IN THE CITY OF CHARLOTTE
6. SKIMMER INVERT ELEVATION = BASIN BOTTOM + 1' MIN.
7. H = SPILLWAY ELEVATION - SKIMMER INVERT ELEVATION

DATA BLOCK

BASIN	DRAINAGE AREA (ACRES)	DENUDED AREA (ACRES)	Q ₁₀	BASIN VOLUME		BASIN SURFACE AREA		CLEANOUT DEPTH (FT.) H/2	H (FEET)	Z (FEET)	L (FEET)	T (FEET)	W (FEET)	SKIMMER PIPE DIAMETER	SKIMMER ORIFICE DIAMETER
				REQUIRED (CUBIC FT.)	PROVIDED (CUBIC FT.)	REQUIRED (SQ FT.)	PROVIDED (SQ FT.)								

NOT TO SCALE



**CITY OF CHARLOTTE
LAND DEVELOPMENT STANDARDS**
INCLUDES CHARLOTTE ETJ

SEDIMENT BASIN

STD. NO.	REV.
30.03A	22