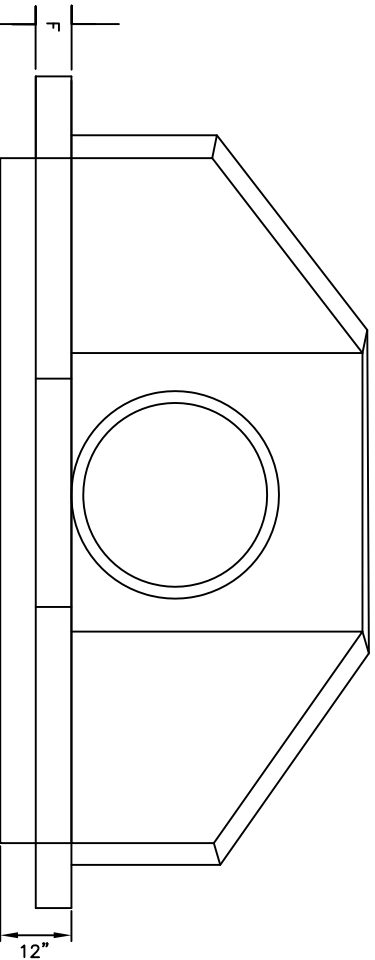


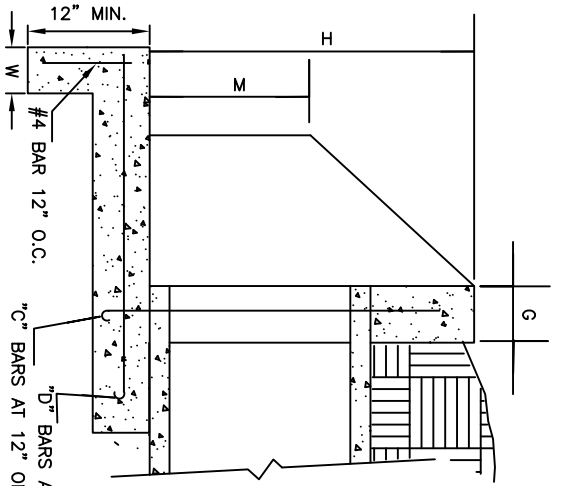
CONCRETE PIPE		DIMENSIONS										
WALL THK.	OUT DIA.	IN DIA.	H	A	B	C	E	F	G	W	K	M
2 1/4"	19 1/2"	15"	27 1/2"	20"	24"	8"	7 1/2"	4"	4"	8"	17"	10"
2 1/2"	23"	18"	31"	20"	24"	8"	9"	4"	4"	8"	17"	12"
3"	30"	24"	38"	20"	30"	8"	12"	4"	4"	8"	21"	15"
3 1/2"	37"	30"	45"	20"	44"	12"	15"	6"	8"	8"	31"	18"
4"	44"	36"	52"	32"	44"	12"	18"	6"	8"	8"	31"	22"
4 1/2"	51"	42"	59"	32"	48"	12"	21"	6"	8"	8"	34"	26"
5"	58"	48"	66"	32"	48"	12"	24"	6"	8"	8"	34"	29"
5 1/2"	65"	54"	73"	32"	54"	12"	27"	6"	8"	8"	38"	33"
6"	72"	60"	80"	36"	66"	12"	30"	8"	12"	12"	46"	36"
6 1/2"	79"	66"	87"	36"	72"	12"	33"	8"	12"	12"	51"	40"
7"	86"	72"	94"	36"	78"	12"	36"	8"	12"	12"	56"	43"



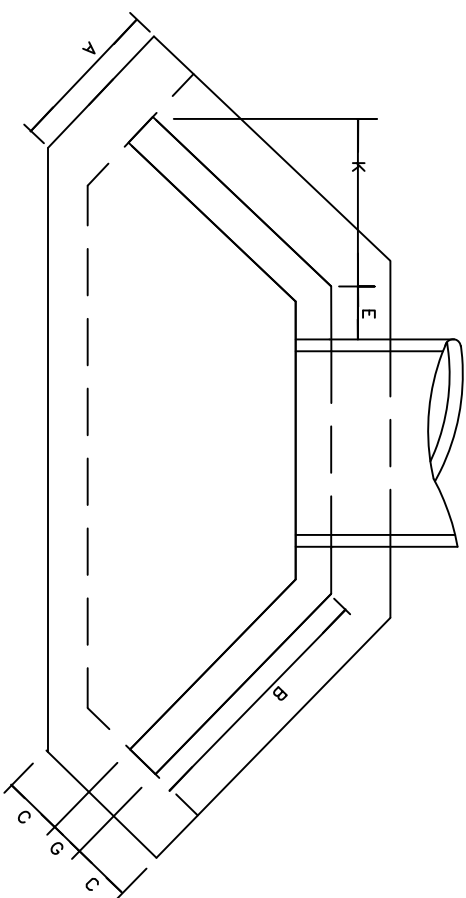
FRONT VIEW

REINFORCING

DIA.	"C" BAR NO. LGT.	"D" BAR NO. LGT.
15"	4 2'-0"	4 1'-11"
18"	4 2'-3"	4 2'-2"
24"	4 2'-9"	4 2'-8"
30"	4 3'-3"	4 3'-2"
36"	4 3'-9"	4 3'-8"
42"	4 4'-3"	4 4'-2"
48"	4 4'-9"	4 4'-8"
54"	4 5'-3"	4 5'-2"
60"	4 5'-9"	4 5'-8"
66"	4 6'-3"	4 6'-2"
72"	4 6'-9"	4 6'-8"



SIDE VIEW



TOP VIEW

NOT TO SCALE



CITY OF CHARLOTTE
LAND DEVELOPMENT STANDARDS
INCLUDES CHARLOTTE ETJ

CONCRETE WINGWALL WITH SPLASH PAD

STD. NO.	REV.
20.17A	8