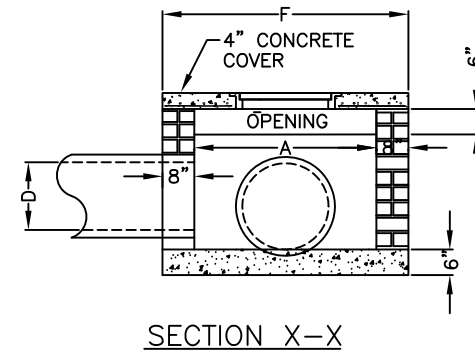
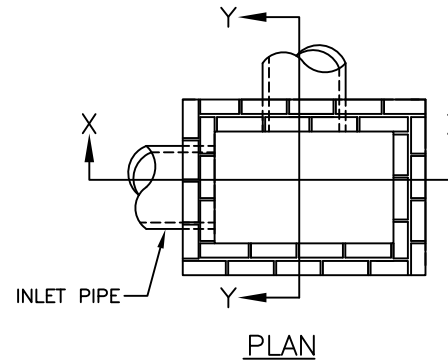
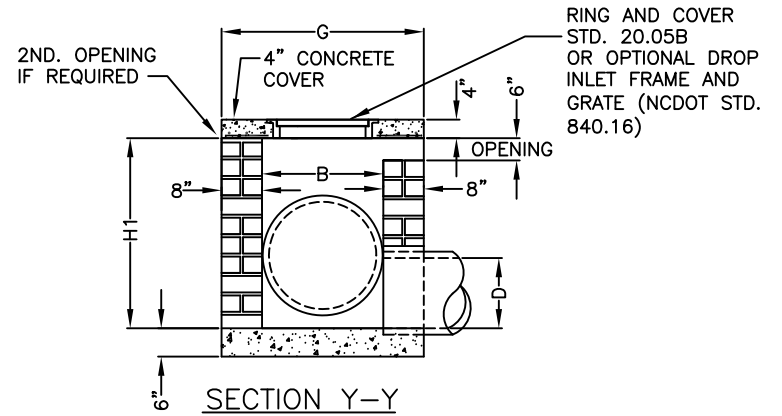


GENERAL NOTES:

1. MORTAR JOINTS SHOULD BE BETWEEN 3/8" AND 5/8" THICK.
2. ALL CONCRETE TO BE 3600 P.S.I COMPRESSIVE STRENGTH.
3. THE 6" OPENING SHOWN MAY BE INCREASED TO 8" MAX. IF DEEMED TO BE NECESSARY BY THE ENGINEER.
4. ALL CATCH BASIN OVER 3'-6" IN DEPTH SHALL BE PROVIDED WITH STEPS 1'-2" ON CENTERS. STEPS SHALL BE IN ACCORDANCE WITH STD. 20.12.
5. CONCRETE BRICK MAY BE USED IN LIEU OF HARD COMMON CLAY BRICK.
6. JUMBO BRICK WILL BE PERMITTED.
7. FOR 8'-0" IN HEIGHT OR LESS USE 8" WALL. OVER 8'-0" IN HEIGHT USE 12" WALL TO 6'-0" FROM TOP OF WALL, AND 8" WALL FOR THE REMAINING 6'-0".
8. ALL EXPOSED JOINTS WILL BE CONCAVE TOOLED.
9. ALL PIPE IN STORM DRAIN STRUCTURE SHALL BE STRUCK EVEN WITH THE INSIDE WALL, GROUTED AND BRUSHED SMOOTH.
10. WEEP HOLES SHALL BE PLACED IN BACK WALL WITH FILTER FABRIC OR STONE ON BACK SIDE.
11. THIS CATCH BASIN IS NOT TO BE USED WITHIN STREET RIGHT OF WAY UNLESS OTHERWISE APPROVED BY CITY ENGINEER.

DIMENSIONS OF BOX AND PIPE				REINFORCING					COVER DIMENSION	
PIPE	SPAN	WIDTH	HEIGHT	BARS - X		BARS - Y		TOTAL	F	G
D	A	B	H1(MIN)	NO.	LENGTH	NO.	LENGTH	LBS.		
15"	3'-6"	2'-3"	2'-7"	2	3'-4"	7	4'-7"	26	4'-10"	3'-7"
18"	4'-0"	2'-8"	2'-11"	2	3'-9"	8	5'-1"	33	5'-4"	4'-0"
24"	4'-0"	2'-8"	3'-5"	2	3'-9"	8	5'-1"	33	5'-4"	4'-0"
30"	4'-0"	3'-6"	3'-11"	2	4'-7"	9	5'-1"	37	5'-4"	4'-10"
36"	4'-0"	3'-6"	4'-6"	2	4'-7"	9	5'-1"	37	5'-4"	4'-10"
42"	4'-0"	3'-6"	4'-11"	2	4'-7"	9	5'-1"	37	5'-4"	4'-10"
48"	4'-6"	4'-0"	5'-5"	2	5'-1"	10	5'-7"	45	5'-10"	5'-4"



**CITY OF CHARLOTTE
LAND DEVELOPMENT STANDARDS**
INCLUDES CHARLOTTE ETJ

SLAB TYPE CATCH BASIN
15" THRU 48" PIPE

STD. NO.	REV.
20.05A	7