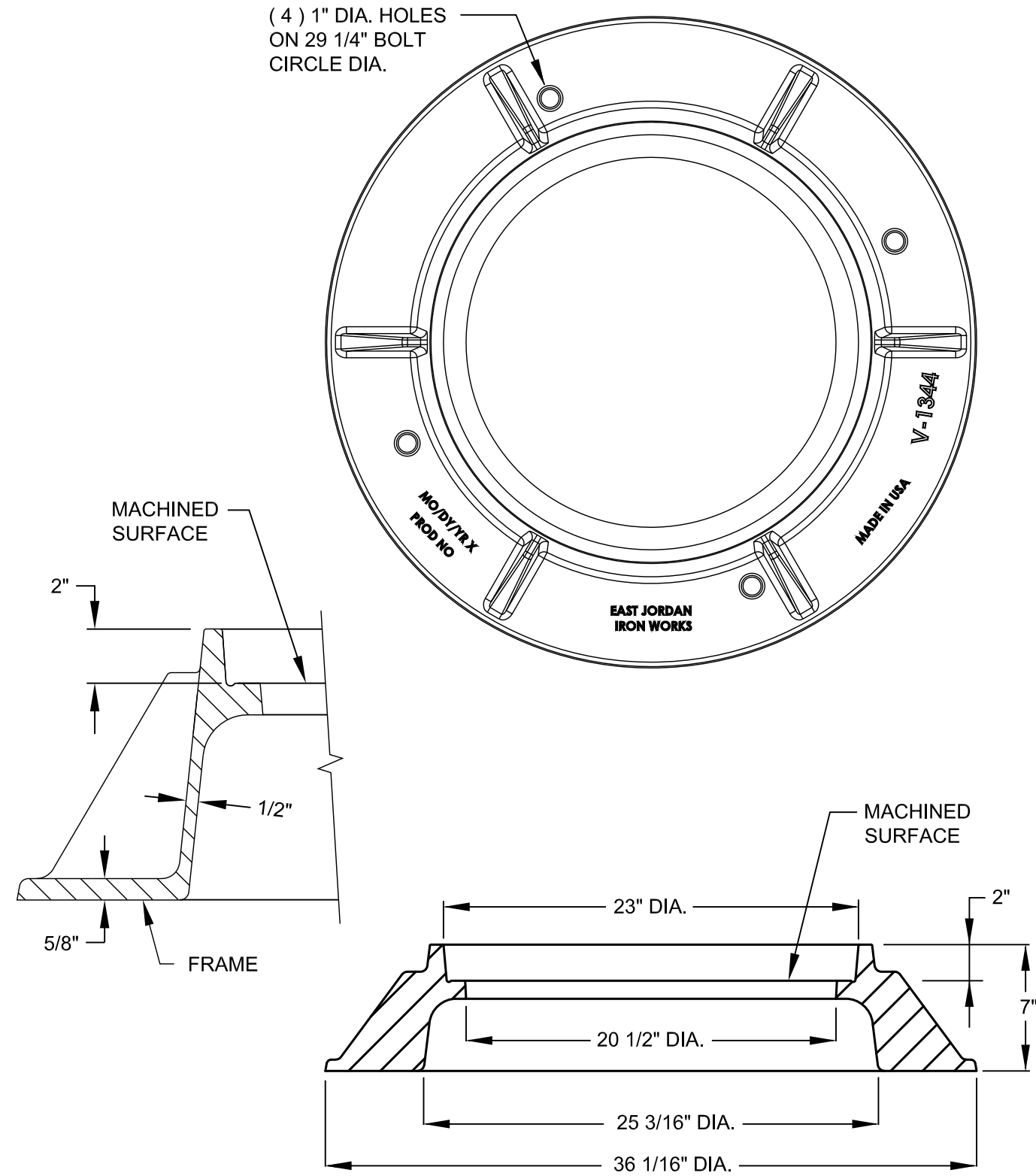


WEIGHT - 240 LB. MIN. , 0% MINUS TOLERANCE

NOTES:

LOAD RATING - HEAVY DUTY
 MATERIAL - ASTM A48 - CLASS 35 GRAY IRON
 COATING - UNDIPPED



WEIGHT - 220 LB. MIN. , 0% MINUS TOLERANCE

NO SCALE

STANDARD NO.	TT
VERSION NO.	V1.0
VERSION DATE	7.14.2011

TYPE F MANHOLE FRAME
20.5 - INCH DIAMETER (CLEAR OPENING)
7 - INCH TALL

CHARLOTTE-MECKLENBURG UTILITIES
 STANDARD DETAILS
 WATER

