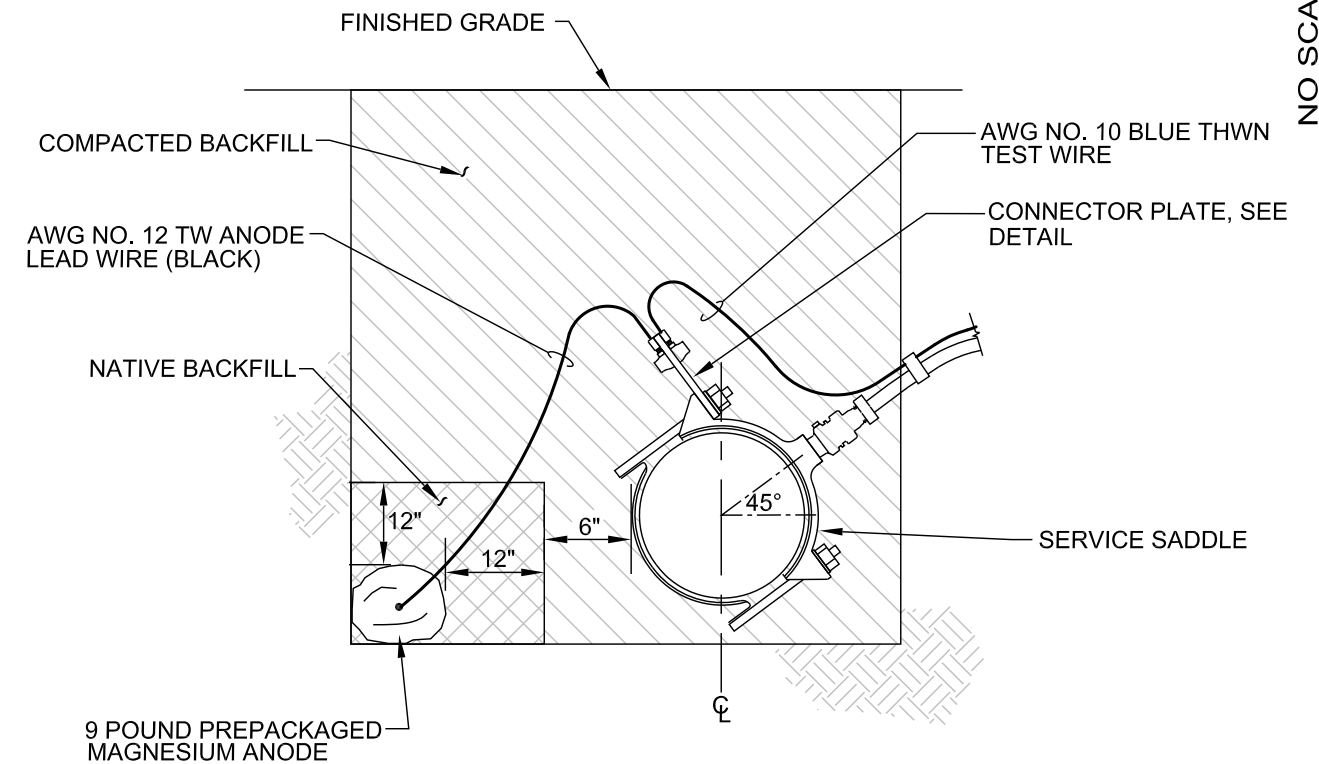
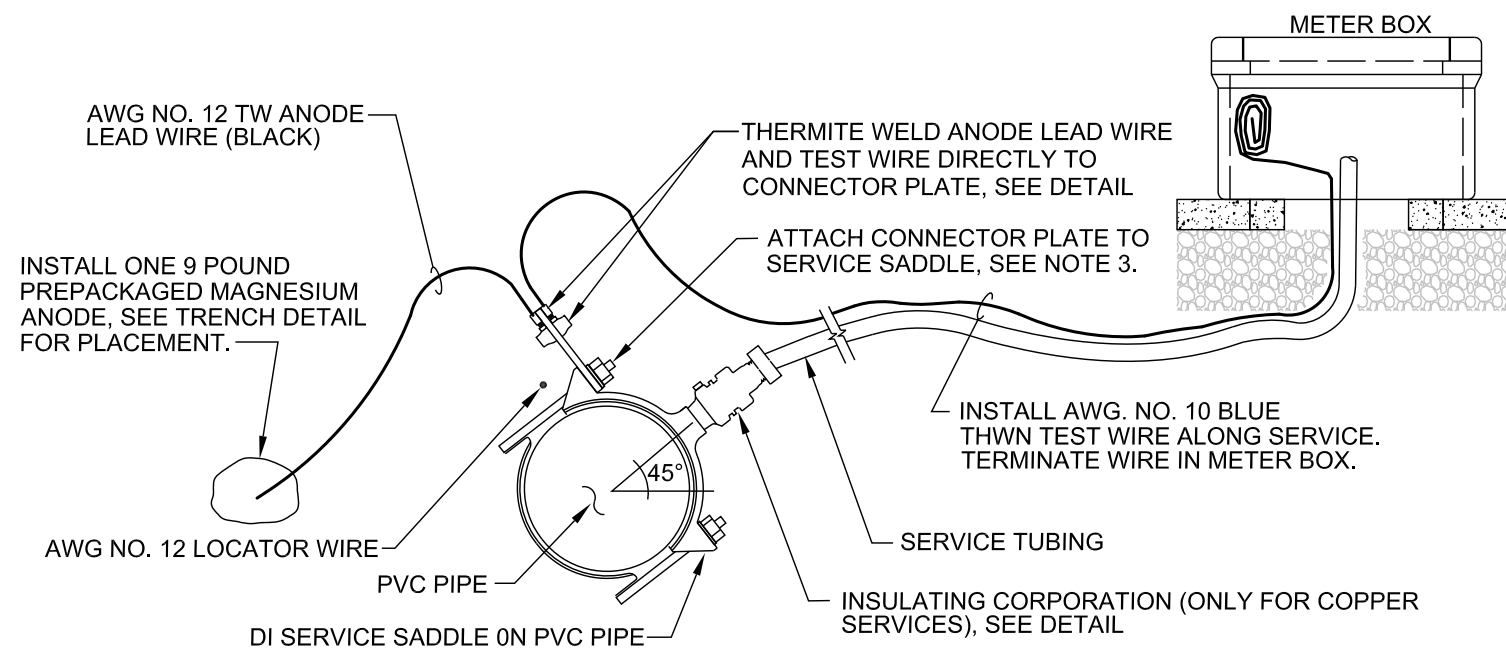


**PLAN VIEW**



**TRENCH DETAIL**



**SECTION VIEW**

**NOTES:**

1. INSTALL ANODE IN NATIVE SOIL. DO NOT BACKFILL ANODE WITH SAND OR STONE.
2. DO NOT THERMITE WELD TO PVC PIPE.

**NOTES:**

1. ANODE LEAD WIRE AND TEST WIRE TO BE THERMITE WELDED TO CONNECTOR PLATE PRIOR TO ATTACHING CONNECTOR PLATE TO DUCTILE IRON SERVICE SADDLE.
2. ANODES PLACED AT SAME DEPTH AS THE BOTTOM OF PIPE AND AT A MINIMUM OF 18" FROM EDGE OF PIPE, SEE TRENCH DETAIL.
3. REMOVE COATING FROM DUCTILE IRON SERVICE SADDLE WHERE CONNECTOR PLATE IS TO BE MOUNTED. REMOVE COATING IMMEDIATELY PRIOR TO ATTACHING THE CONNECTOR PLATE.
4. DO NOT THERMITE WELD TO PVC PIPE.
5. ATTACH TEST WIRE TO SERVICE TUBING WITH 2" DUCT TAPE NEAR CORPORATION, YOKE, AND AT 10 FEET INTERVALS. TERMINATE TEST WIRE WITH 24" COILED WIRE ALONG INSIDE OF METER BOX.

NO SCALE

STANDARD NO. D-1

VERSION NO. 1.1  
VERSION DATE 9.02.2009

**CATHODIC PROTECTION FOR DUCTILE IRON SERVICE SADDLES ON PVC WATER MAINS**

CHARLOTTE-MECKLENBURG UTILITIES  
STANDARD DETAILS  
WATER

