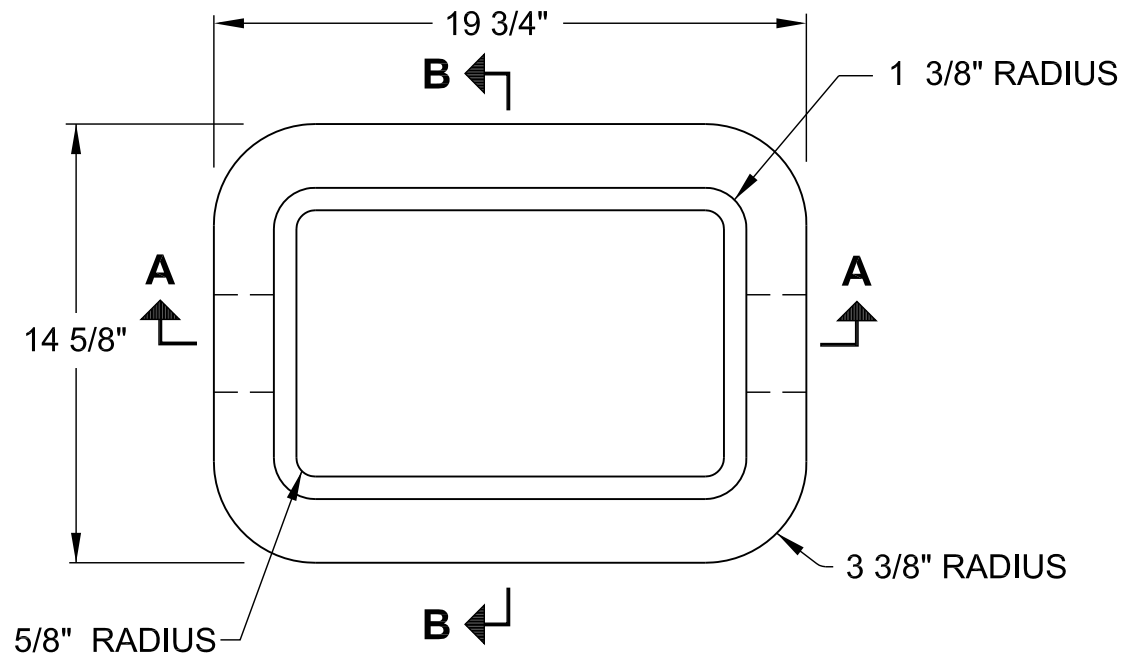


**MANUFACTURERS:**

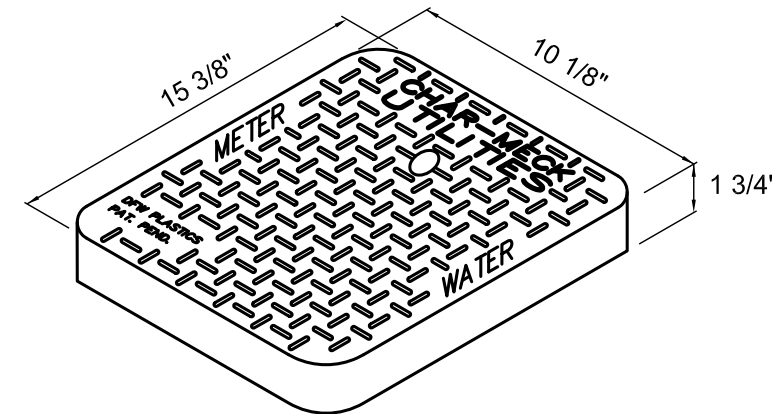
SOUTHERN METER C.H. 5/8" x 3/4" METER BOX BODY  
 BROOKS #36MB METER BOX BODY  
 OLDCASTLE #MB36 METER BODY  
 BES #CO9W METER BOX BODY  
 CHRISTY B9 METER BOX BODY

**NOTES:**

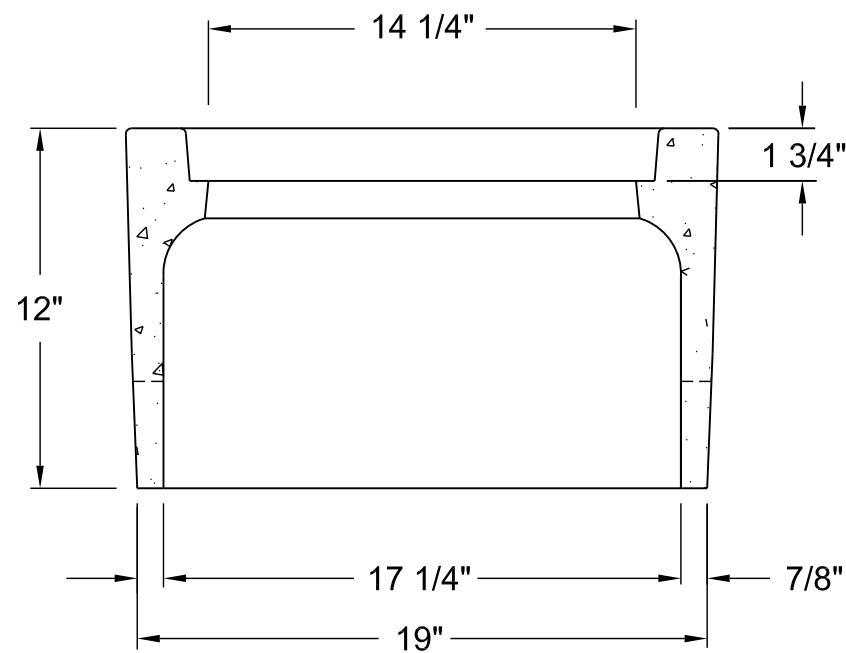
- A. METER BOX SHALL ACCOMMODATE COMPANION PLASTIC METER BOX LID - SEE STANDARD DETAIL.
- B. MINOR DIMENSION VARIATIONS ARE PERMITTED, BASED ON MANUFACTURER'S PRODUCT LINES, PROVIDED THE CMUD STANDARD PLASTIC LID FITS PROPERLY.
- C. CONCRETE SHALL BE MINIMUM  $f'c = 3000$  PSI COMPRESSIVE STRENGTH.
- D. DESIGN SHALL CONFORM TO ASTM C858-SPECIFICATIONS FOR " UNDERGROUND PRECAST CONCRETE UTILITY STRUCTURE ".
- E. STEEL REINFORCING DESIGN SHALL CONFORM TO ASTM C 857.
- F. WELDED WIRE FABRIC SHALL CONFORM TO ASTM A 185 AND A 82.



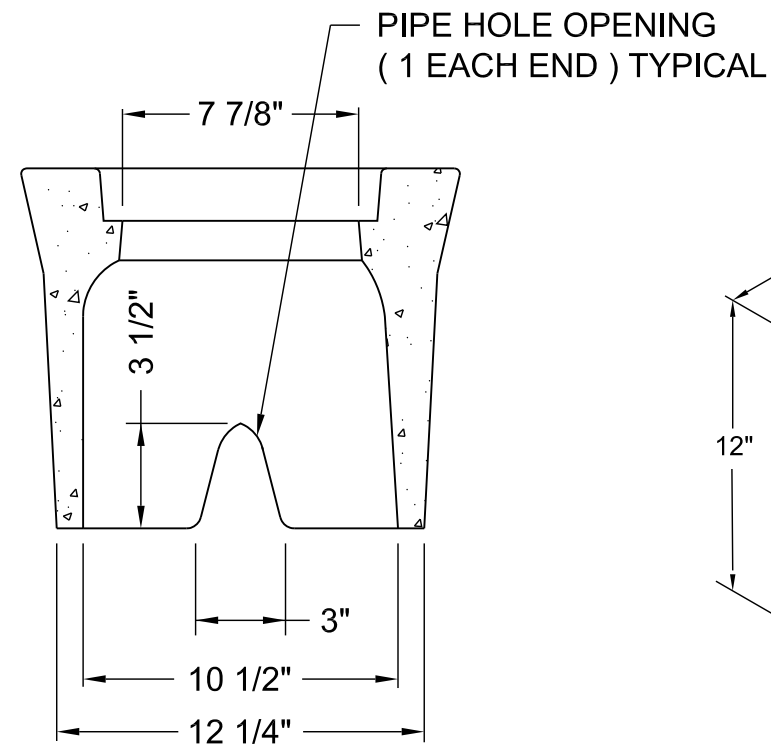
**PLAN VIEW**



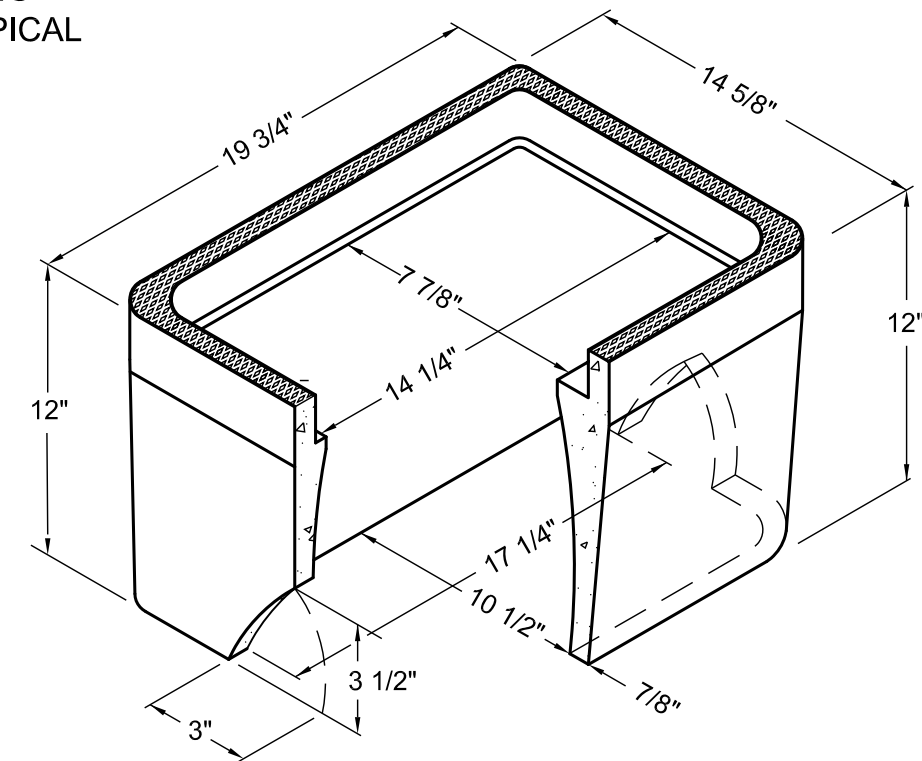
**PLASTIC LID**



**SECTION VIEW A-A**



**SECTION VIEW B-B**



**BODY**

WEIGHT - 70 LB. ( MIN. ) - 85 LB ( MAX. )

NO SCALE

STANDARD NO.	AA	VERSION DATE	8.3.2011
VERSION NO.	V1.0		

PRECAST CONCRETE METER BOX  
 FOR 3/4 - INCH DOMESTIC WATER SERVICE

CHARLOTTE-MECKLENBURG  
 UTILITIES  
 STANDARD DETAILS  
 WATER

