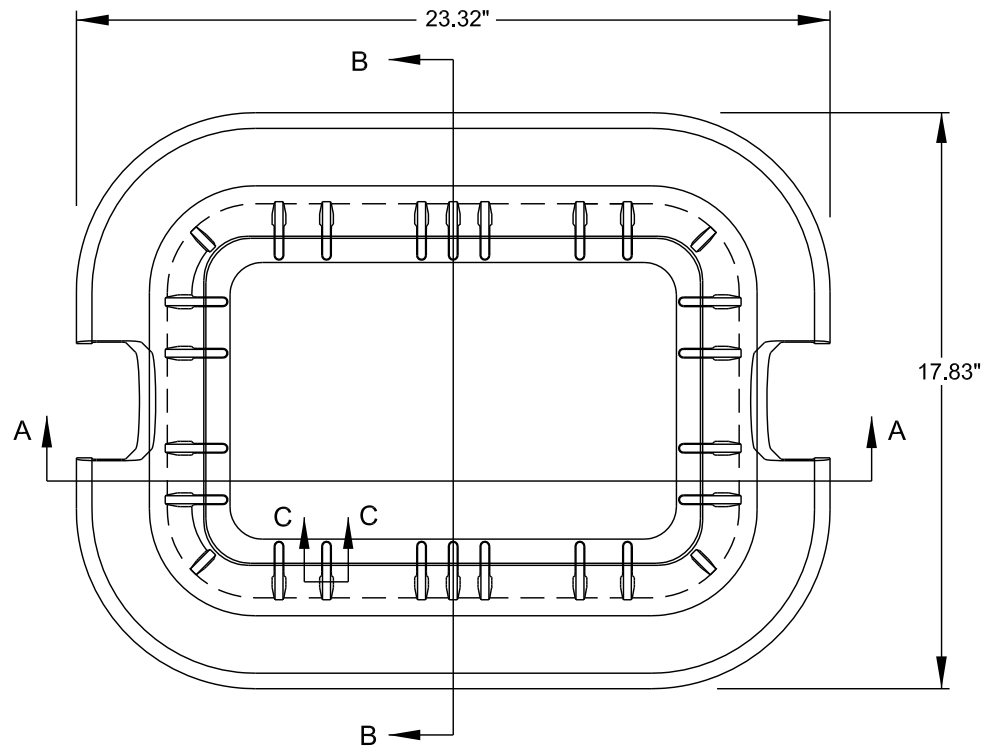
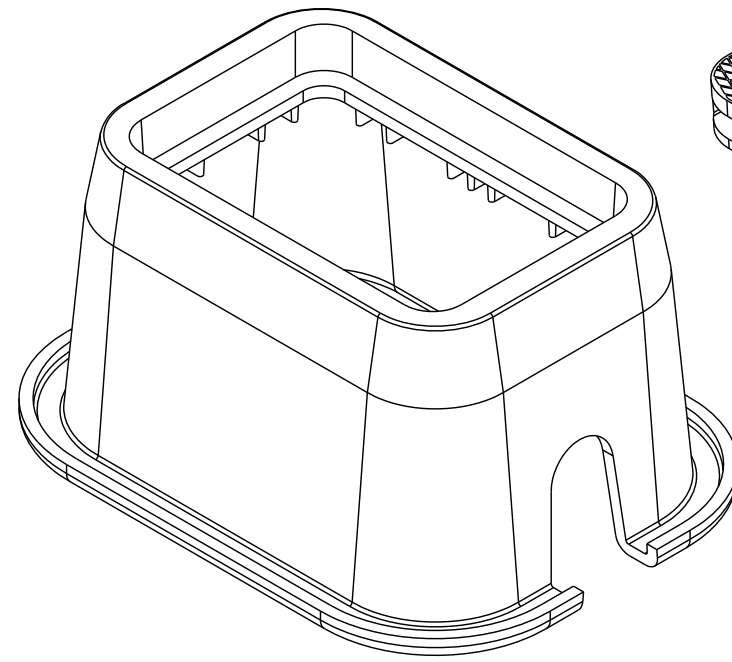


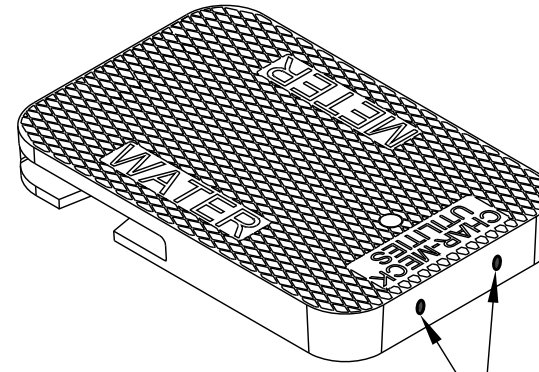
METER BOX BOX



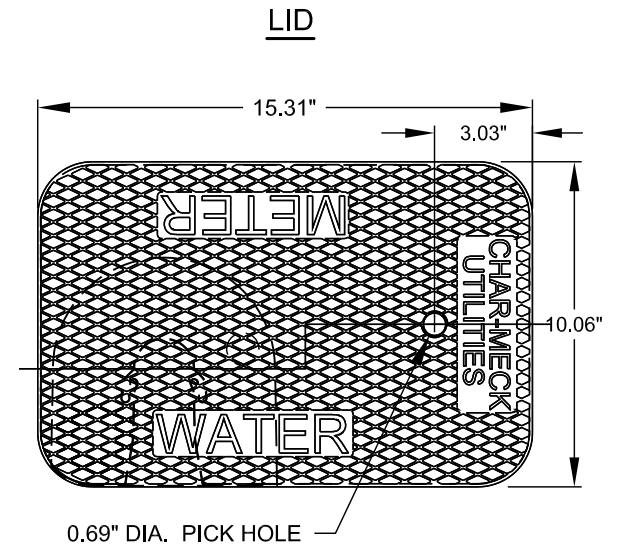
PLAN VIEW



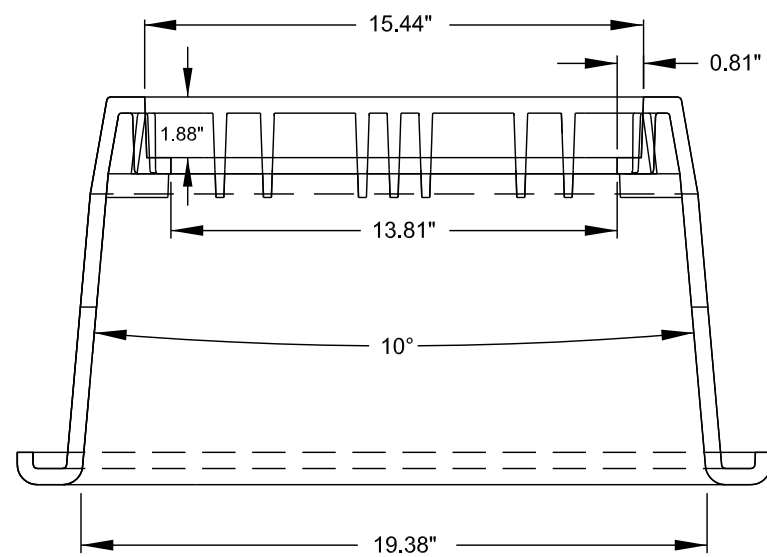
BODY



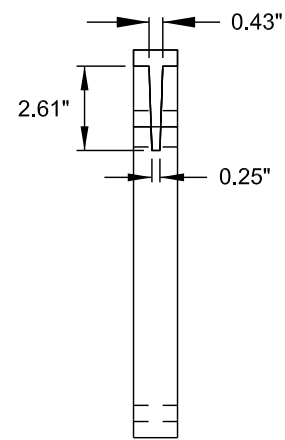
PLASTIC LID



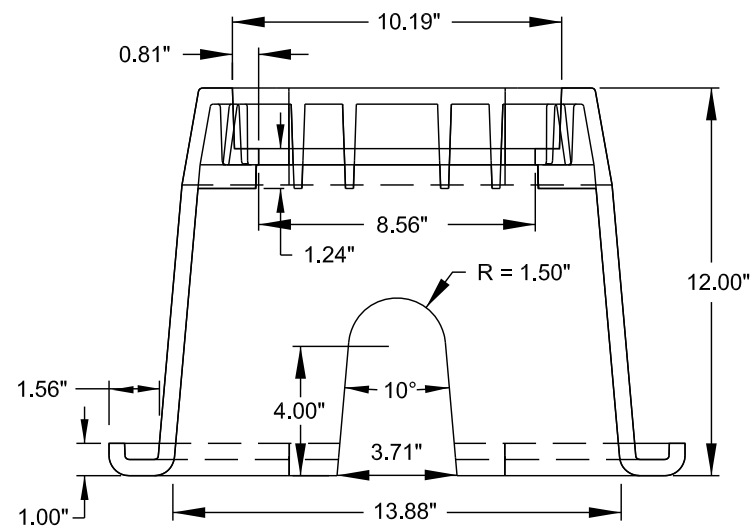
LID



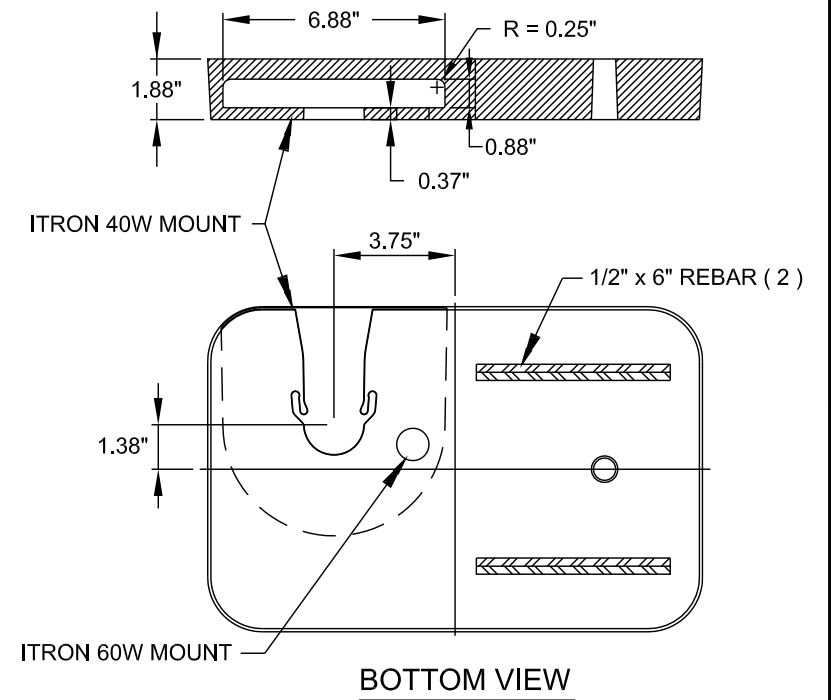
SECTION A-A



SECTION C-C  
RIB DETAIL



SECTION B - B



BOTTOM VIEW

NOTES:

- A. MATERIAL SHALL BE HIGH DENSITY POLYETHYLENE.
- B. LOAD RATING = HS20.
- C. COLOR SHALL BE CHARLOTTE GRAY.
- D. SUPPLIER / MANUFACTURER: SOUTHEASTERN DISTRIBUTORS MODEL MB 16 - HD.

METER BOX BODY WEIGHT = 13.50 LBS.

LID WEIGHT - INCLUDING REBARS - 5.30 LBS.

NO SCALE

STANDARD NO.

00

VERSION DATE

8.23.2011

VERSION NO.

V1.0

PLASTIC METER BOX AND LID  
FOR 3/4 - INCH DOMESTIC WATER SERVICE

CHARLOTTE-MECKLENBURG  
UTILITIES  
STANDARD DETAILS  
WATER

