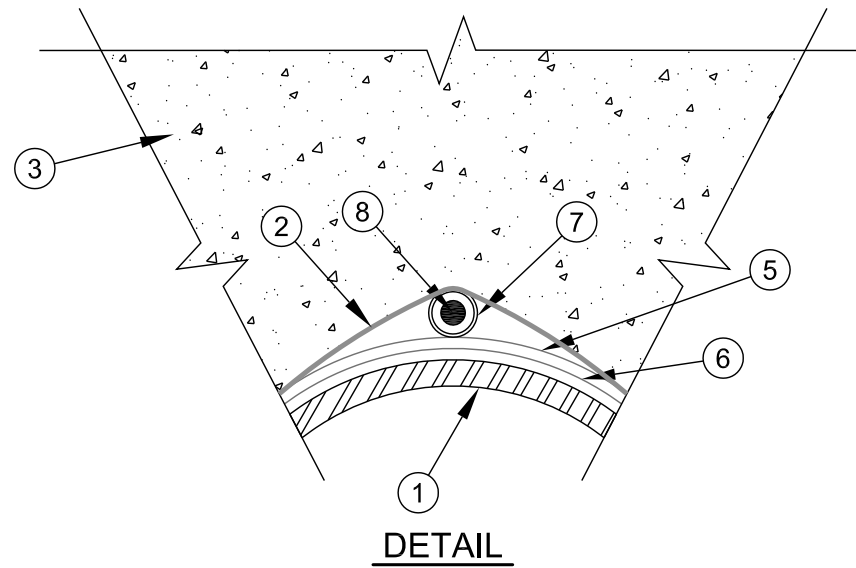


PIPE DIAMETER (INCHES)	WIDTH (W) (MINIMUM) (INCHES)	HEIGHT (H) (MINIMUM) (INCHES)	CONCRETE VOLUME APPROX. PER L.F.	
			FT <sup>3</sup> / LF	CY / LF
4	31	25	4.26	0.16
6	33	27	4.93	0.18
8	36	30	6.05	0.22
10	38	32	6.77	0.25
12	40	34	7.49	0.28
16	44	38	8.96	0.33
20	49	43	11.09	0.41
24	53	47	12.67	0.47
30	60	54	15.91	0.59
36	66	60	18.50	0.69
42	74	68	23.14	0.86
48	80	74	26.04	0.96
54	88	82	31.04	1.15
60	92	86	33.24	1.23
64	96	90	35.48	1.31

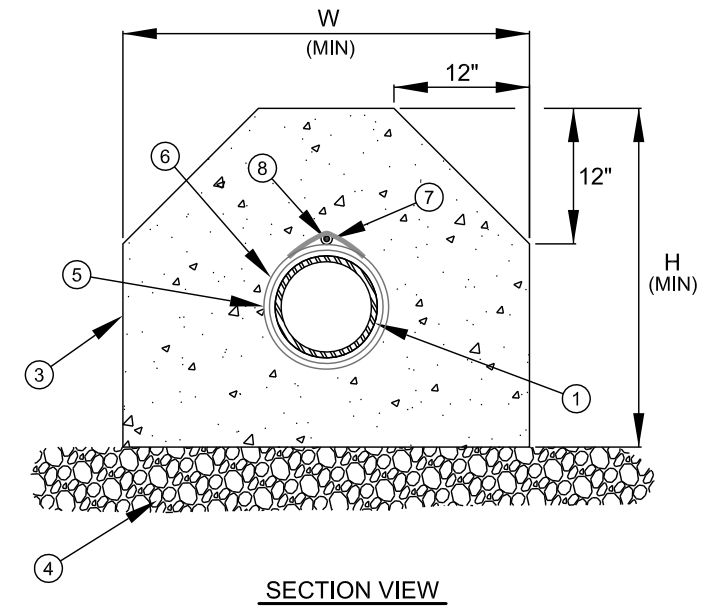
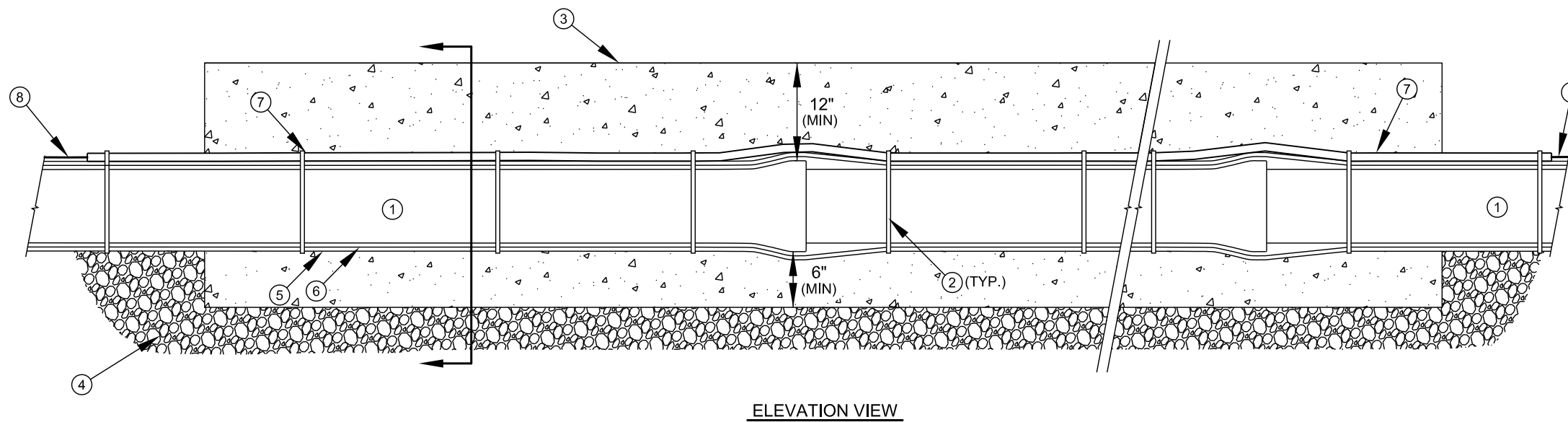
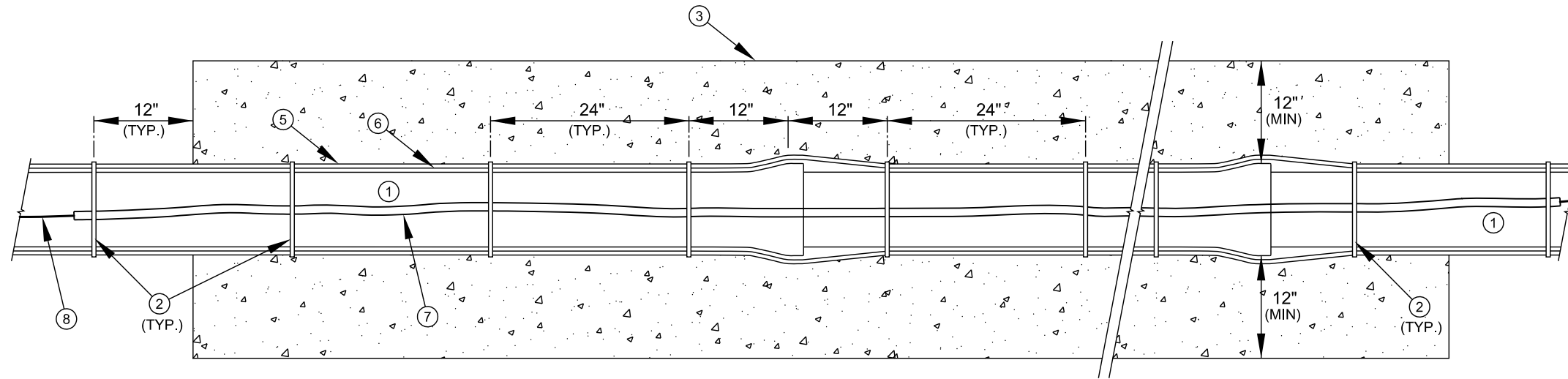


**NO. DESCRIPTION**

- 1 DUCTILE IRON PIPE
- 2 HDPE ADHESIVE TAPE OR HDPE ZIPLOCK TIE
- 3 CONCRETE ENCASEMENT (f'c = 3600 PSI MIN.)
- 4 STONE STABILIZATION MATERIAL - AS REQUIRED
- 5 HIGH DENSITY CROSS LAMINATED POLYETHYLENE FILM (HDCLPE) - 4 MILS - TUBE - AWWA C105
- 6 HIGH DENSITY CROSS - LAMINATED POLYETHYLENE FILM (HDCLPE) - 4 MILS - TUBE - AWWA C105
- 7 1-INCH DIA. SCH. 40 PVC ELECTRICAL CONDUIT - SOLVENT WELD JOINTS
- 8 AWG #12 GAUGE COPPER TRACER WIRE WITH BLUE INSULATION - (30 MIL HDPE)

**NOTES:**

- A. CONCRETE ENCASEMENT SHALL ONLY BE INSTALLED WHERE SHOWN ON APPROVED PLANS OR WITH PRIOR APPROVAL BY CMUD ENGINEER.
- B. THIS RESTRICTION IS IN PLACE DUE TO THE INABILITY TO EASILY MAINTAIN / REPAIR OR TAP A MAIN ENCASED IN CONCRETE.



NO SCALE

STANDARD NO.

KK

VERSION NO. 1.0

VERSION DATE 8.23.2011

**CONCRETE ENCASEMENT  
6-INCH THROUGH 64-INCH MAINS**

**CHARLOTTE-MECKLENBURG  
UTILITIES  
STANDARD DETAILS  
WATER**



B.W.