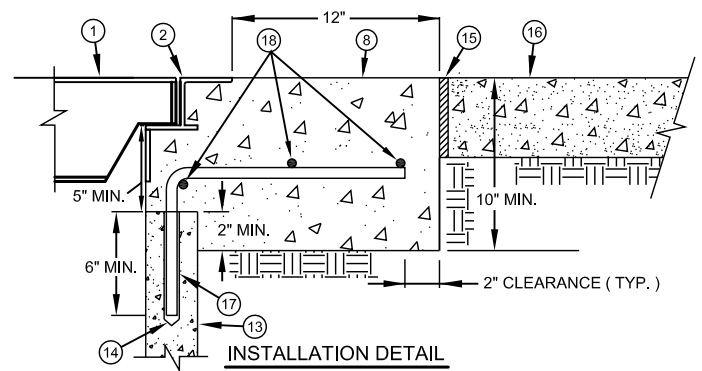
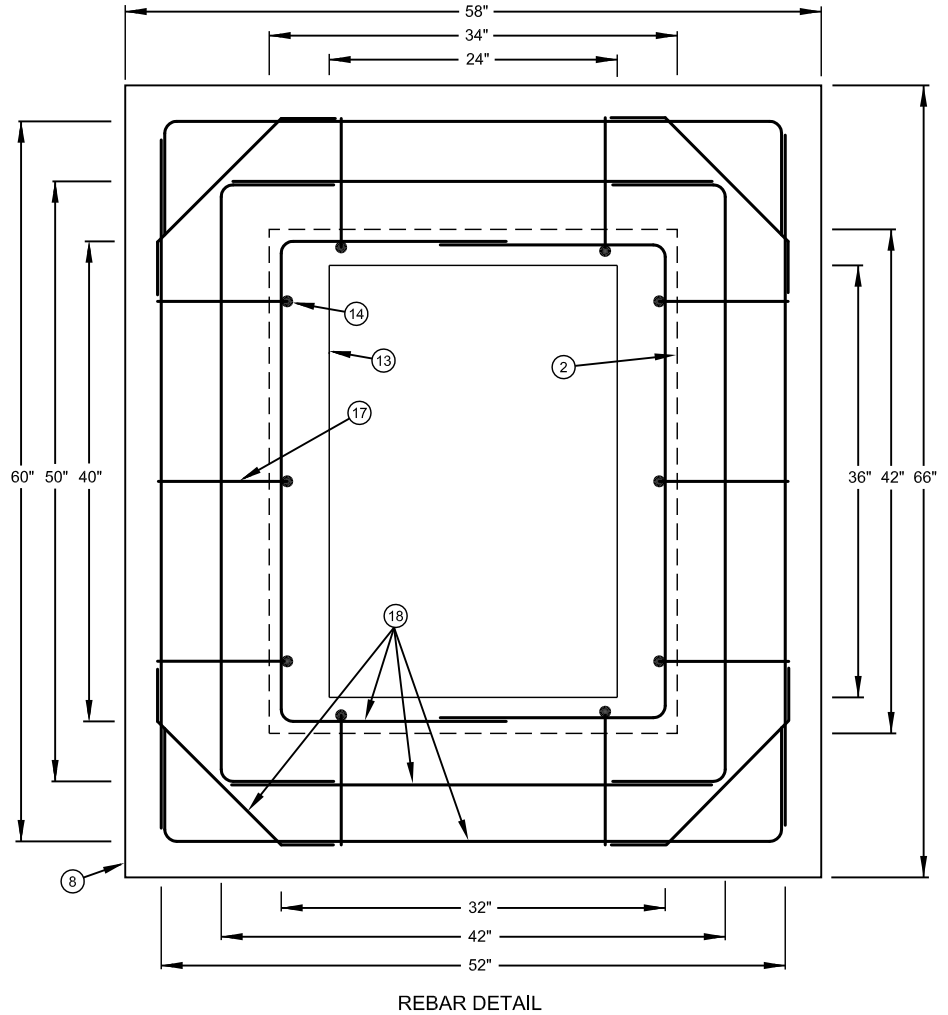


ERT TRANSMITTER SLOT DETAIL & ERT TRANSMITTER SUPPORT



INSTALLATION DETAIL



REBAR DETAIL

**NO. DESCRIPTION**

1. SINGLE DOOR LEAF - REINFORCED.
2. CAST - IN ALUMINUM DOOR FRAME W/3" SKIRT.
3. FLUSH DROP HANDLE.
4. RECESSED PADLOCK ASSEMBLY ( STANDARD SIZE ) WITH STAINLESS STEEL STAPLE / SPRING LOADED HINGED LID.
5. AUTOMATIC HOLD OPEN ARM WITH VINYL GRIP.
6. 2 - INCH LETTERING MILLED INTO DOOR LEAF.
7. SLAM LOCK/THREADED PLUG / REMOVABLE KEY / INSIDE HANDLE.
8. CONCRETE FRAME - CAST IN PLACE.
9. PADLOCK TO BE FURNISHED BY CMUD.
10. ERT TRANSMITTER SUPPORT BRACKET.
11. ERT TRANSMITTER SLOT.
12. ERT TRANSMITTER.
13. PRECAST CONCRETE VAULT WALL.
14. DRILLED OR CAST HOLE - EPOXY ADHESIVE.
15. 1/2 - INCH EXPANSION MATERIAL. ( CONSTRUCTION JOINT )
16. CONCRETE/ASPHALT HARDCAPE.
17. # 5 REBAR ANCHOR.
18. # 4 REBAR

**DESIGN REQUIREMENTS**

- A. MATERIAL - ALUMINUM - ALLOY ASTM B209 AND B221, EXCEPT AS NOTED.
- B. LIVE LOAD - AASHTO H - 20 - 44 WHEEL LOAD. (16,000# +30% IMPACT OVER 10" x 20" AREA.
- C. DOOR LEAF - 1/4 - INCH THICK ALUMINUM DIAMOND PLATE.
- D. FINISH - SHOT BLAST DULL GRAY-SLIP RESISTANT MEETING ADA REQUIREMENTS.
- E. HINGE / LOCKNUTS / BOLTS - STAINLESS STEEL - TYPE 316.
- F. SLAM LOCK / HOLD OPEN ARM - STAINLESS STEEL - TYPE 316.
- G. ACCESS DOOR SHALL BE MODEL AHS, AS MANUFACTURED BY U.S.F. FABRICATION, OR APPROVED EQUAL.
- H. BITUMINOUS PAINT SHALL BE APPLIED TO FRAME IN CONTACT AREA WITH CONCRETE.
- I. REBARS SHALL BE ASTM A615 - GRADE 60.
- J. REBAR SPLICE LENGTH SHALL BE 12 - INCH MINIMUM.
- K. CONCRETE - f'c = 3600 PSI MINIMUM.

**WARNING NOTE:**

**THIS DOOR IS NOT TO BE USED IN ROADWAYS OR DRIVEWAYS. IT MAY BE USED IN OFF STREET LOCATIONS WHICH MAY OCCASIONALLY BE SUBJECT TO H-20 WHEEL LOADS.**

APPROXIMATE WEIGHT = 98 LBS.

NO SCALE

STANDARD NO.	QQ	VERSION DATE	3.3.2011
VERSION NO.	V1.0		

ALUMINUM SINGLE LEAF ACCESS DOOR - 2 FT x 3 FT  
OFF STREET H-20 WHEEL LOADING ( OCCASIONAL -  
NON - TRAFFIC ) FOR 1 1/2 & 2 - INCH WATER METER VAULT

CHARLOTTE-MECKLENBURG UTILITIES  
STANDARD DETAILS  
WATER

