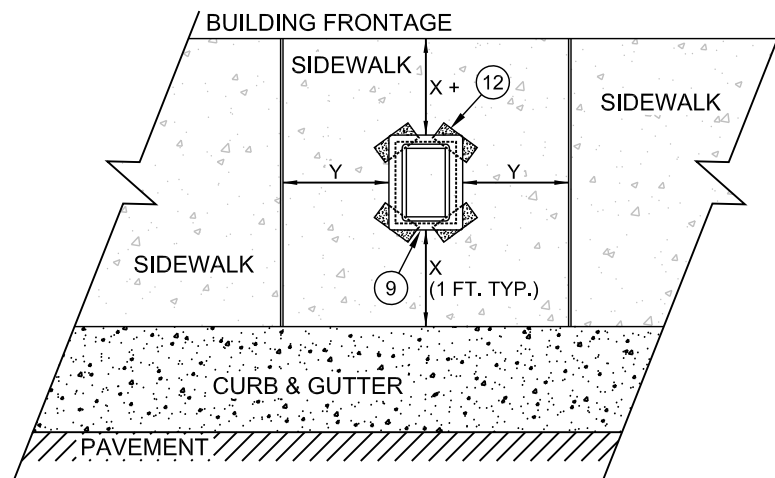


1" OR 3/4" SERVICE CONNECTION
(SHORT SIDE - IN PAVEMENT)



METER BOX IN SIDEWALK
(REQUIRES PRIOR CMU APPROVAL)

NO.	DESCRIPTION
1	WATER MAIN
2	DOUBLE STRAP SERVICE SADDLE - CC (TAPER) THREAD OUTLET
3	BALL CORPORATION STOP - CC (TAPER) THREAD x CTS COMPRESSION
4	TYPE K COPPER TUBING OR SDR9 HDPE (POLY) TUBING WITH INSERT STIFFENERS
5	5/8" x 3/4" ANGLE BALL VALVE WITH LOCK WINGS - CTS COMPRESSION x YOKE STAR NUT
6	5/8" DUCTILE IRON YOKE BAR
7	5/8" METER ASSEMBLY (BY CMUD) WITH AMR TRANSMITTER
8	5/8" x 3/4" BRASS 90° YOKE STAR NUT x CTS COMPRESSION CONNECTOR
9	CONCRETE METER BOX - SEE STD. DETAILS
10	HDPE METER BOX LID WITH AMR TRANSMITTER BRACKET
11	AWG #12 GAUGE COPPER TRACER WIRE (THWN) - WITH BLUE INSULATION - TERMINATE IN METER BOX WITH 24" EXCESS WIRE (COILED)
12	SOLID STANDARD CONCRETE BRICKS - DIAGONAL AT CORNERS - 4 EACH.

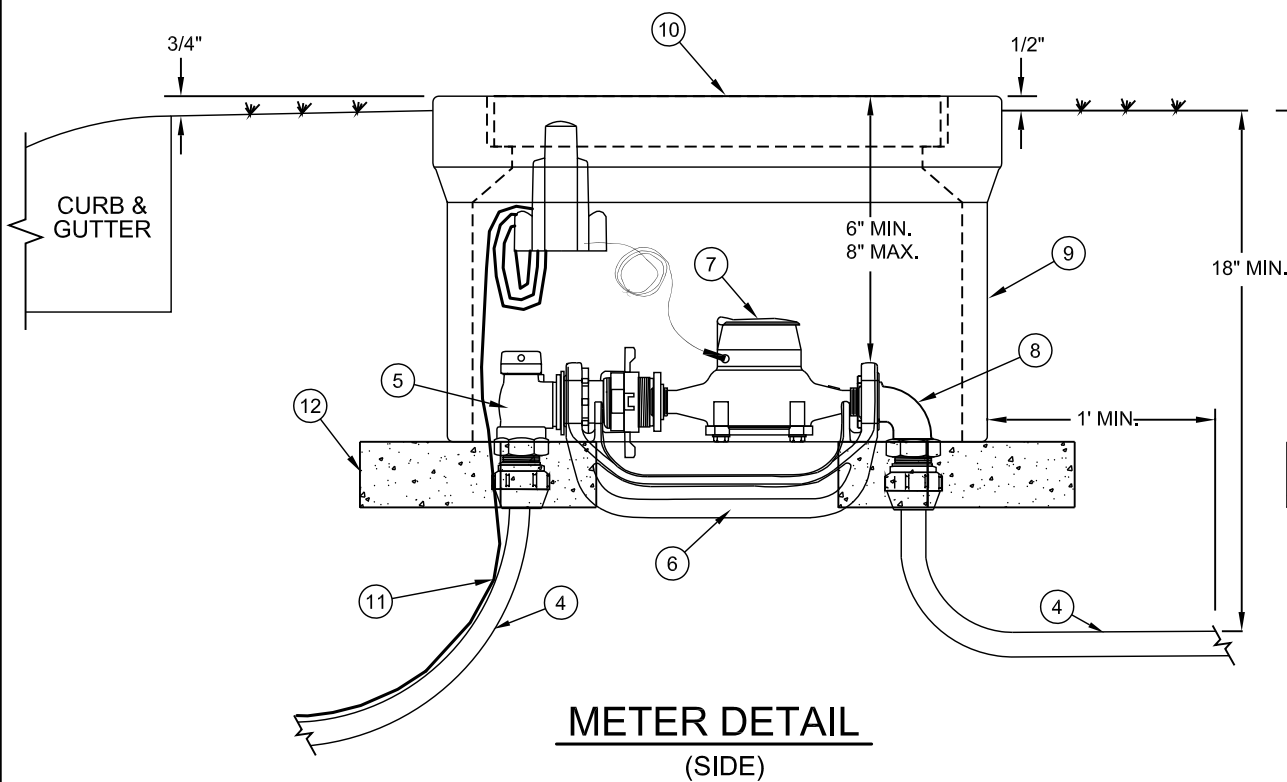
NO SCALE

STANDARD NO. K-2

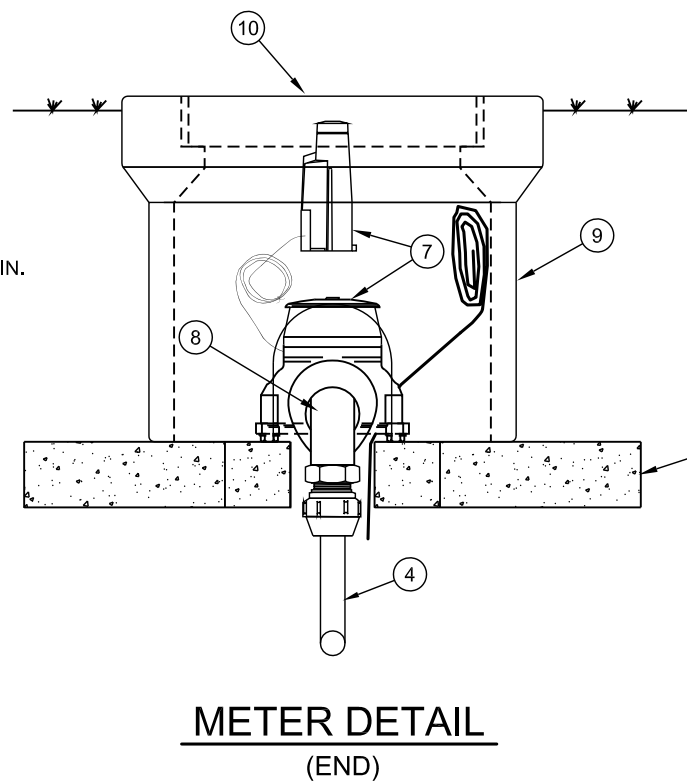
VERSION NO. 1.1
VERSION DATE 5.13.2011

3/4" AND 1" DOMESTIC WATER
SERVICE CONNECTION

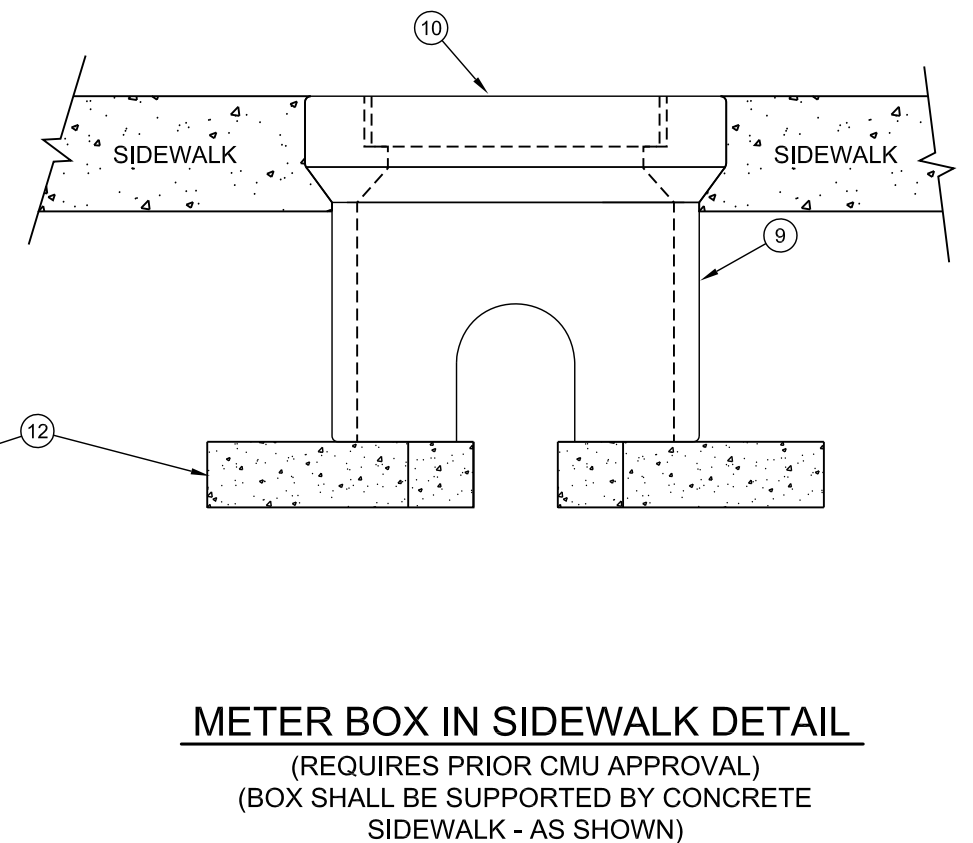
CHARLOTTE-MECKLENBURG
UTILITIES
STANDARD DETAILS
WATER



METER DETAIL
(SIDE)



METER DETAIL
(END)



METER BOX IN SIDEWALK DETAIL
(REQUIRES PRIOR CMU APPROVAL)
(BOX SHALL BE SUPPORTED BY CONCRETE SIDEWALK - AS SHOWN)

NOTE:

- A. MIN. DISTANCE CENTER TO CENTER ON SERVICES OR TO BELLS OR SPIGOTS SHALL BE 3'-0" AS MEASURED ALONG THE MAIN.
- B. CENTER ANGLE BALL VALVE - 90° CONNECTOR ((5) - (8)) IN METER BOX.

- C. SHOWN AS 3/4" SERVICE, USE 1" COMPONENTS FOR 1" DOMESTIC SERVICE.
- D. TRACER WIRE IS NOT REQUIRED WITH ALL COPPER TUBING SERVICE.

- E. WHEN METER BOX MUST BE PLACED IN CONCRETE, IT SHALL BE COMPLETELY IN, AND CENTERED IN CONCRETE PANEL, PER CDOT / NCDOT REQUIREMENTS.
- F. CMUD MAINTENANCE ENDS WITH 90° CONNECTOR ((8)).