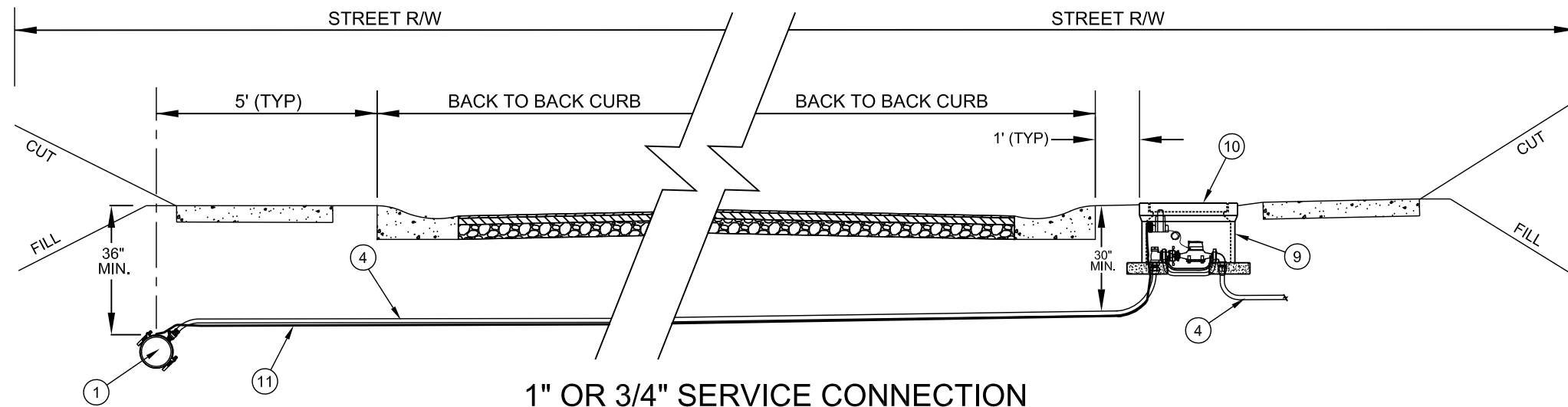
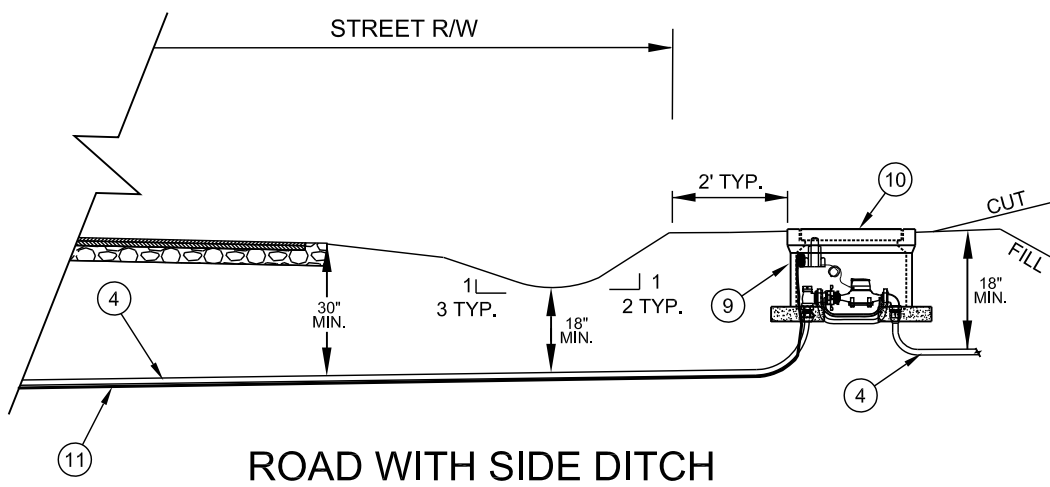


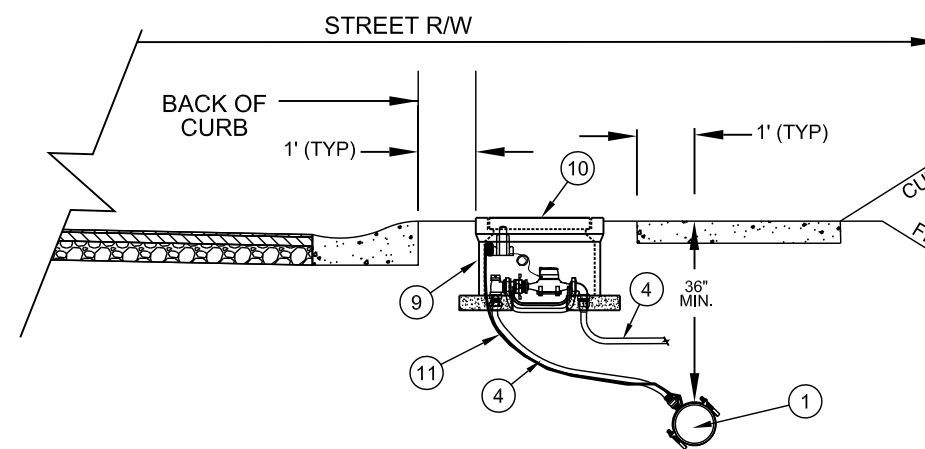
1" OR 3/4" SERVICE CONNECTION
(LONG SIDE - PLAN VIEW)



1" OR 3/4" SERVICE CONNECTION
(LONG SIDE - PROFILE VIEW)



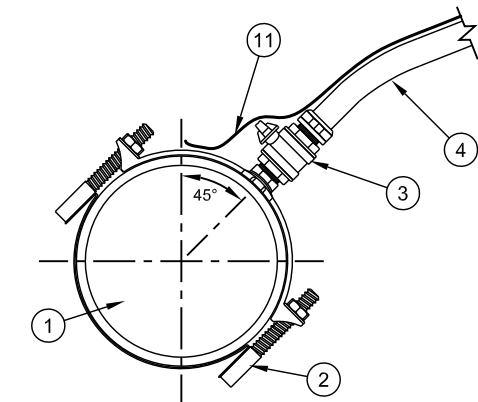
ROAD WITH SIDE DITCH



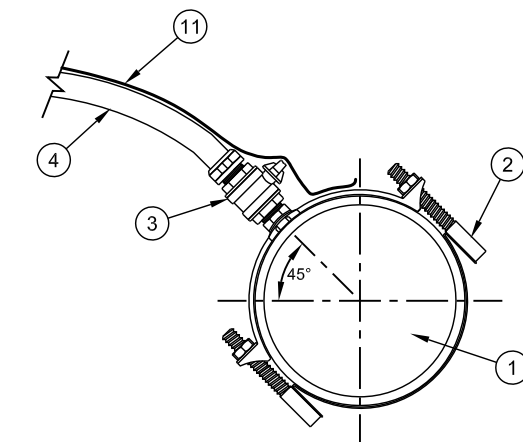
1" OR 3/4" SERVICE CONNECTION
(SHORT SIDE)

NO. DESCRIPTION

- 1 WATER MAIN
- 2 DOUBLE STRAP SERVICE SADDLE - CC (TAPER) THREAD OUTLET
- 3 BALL CORPORATION STOP - CC (TAPER) THREAD x CTS COMPRESSION
- 4 TYPE K COPPER TUBING OR SDR9 HDPE (POLY) TUBING WITH INSERT STIFFENERS
- 5 5/8" x 3/4" ANGLE BALL VALVE WITH LOCK WINGS - CTS COMPRESSION x YOKE STAR NUT
- 6 5/8" DUCTILE IRON YOKE BAR
- 7 5/8" METER ASSEMBLY (BY CMUD) WITH AMR TRANSMITTER
- 8 5/8" x 3/4" BRASS 90° YOKE STAR NUT x CTS COMPRESSION CONNECTOR
- 9 CONCRETE METER BOX - SEE STD. DETAILS
- 10 HDPE METER BOX LID WITH AMR TRANSMITTER BRACKETS
- 11 AWG #12 GAUGE COPPER TRACER WIRE (THWN) - WITH BLUE INSULATION - TERMINATE IN METER BOX WITH 24" EXCESS WIRE (COILED)
- 12 SOLID STANDARD CONCRETE BRICKS - DIAGONAL AT CORNERS - 4 EACH.



DETAIL AT MAIN
(LONG SIDE)



DETAIL AT MAIN
(SHORT SIDE)

NOTE:

- A. MIN. DISTANCE CENTER TO CENTER ON SERVICES OR TO BELLS OR SPIGOTS SHALL BE 3'-0" AS MEASURED ALONG THE MAIN.
- B. CENTER ANGLE BALL VALVE - 90° CONNECTOR ((5) - (8)) IN METER BOX.

- C. SHOWN AS 3/4" SERVICE, USE 1" COMPONENTS FOR 1" DOMESTIC WATER SERVICE.
- D. TRACER WIRE IS NOT REQUIRED WITH ALL COPPER TUBING SERVICE.

- E. WHEN METER BOX MUST BE PLACED IN CONCRETE, IT SHALL BE COMPLETELY IN, AND CENTERED IN CONCRETE PANEL, PER CDOT / NCDOT REQUIREMENTS.
- F. CMUD MAINTENANCE ENDS WITH 90° CONNECTOR ((8)).

NO SCALE

STANDARD NO. K-1

VERSION NO. 1.1

VERSION DATE 5.13.2011

3/4" AND 1" DOMESTIC WATER SERVICE CONNECTION

CHARLOTTE-MECKLENBURG UTILITIES
STANDARD DETAILS
WATER

