

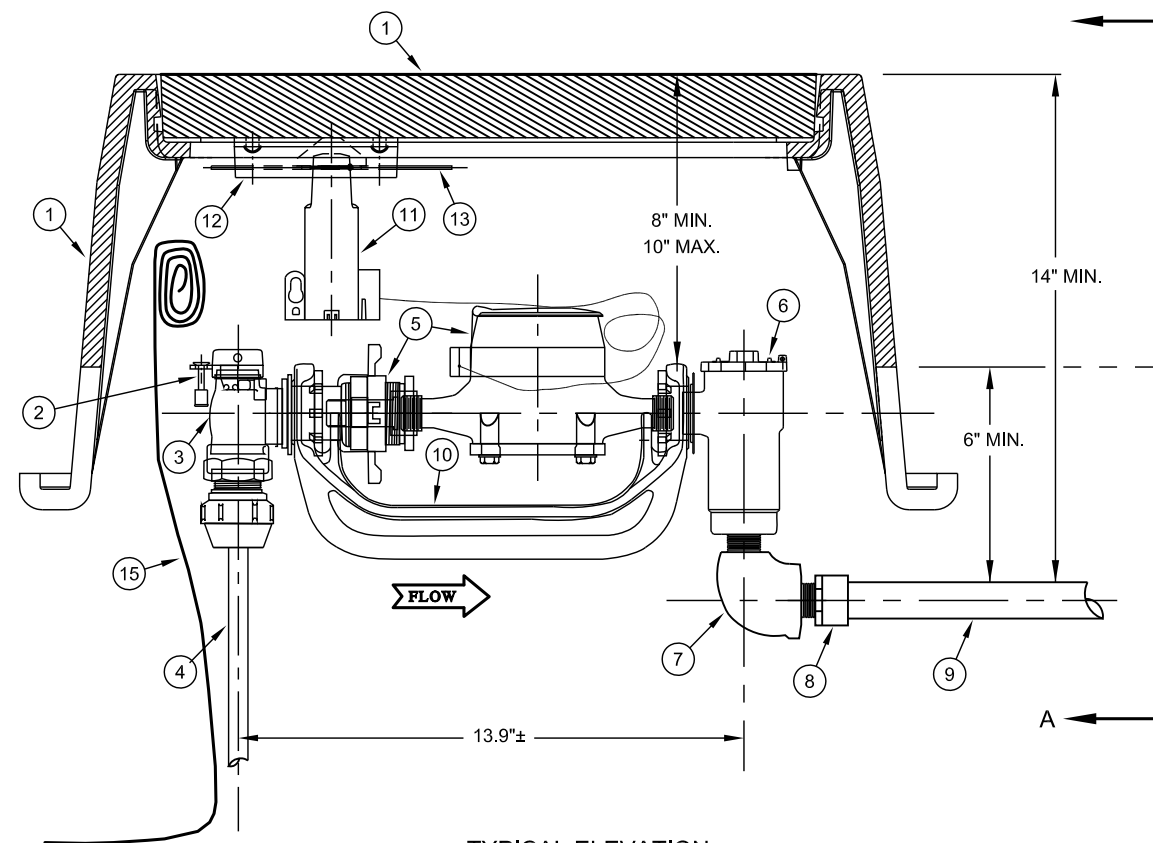
PLAN

**NOTES:**

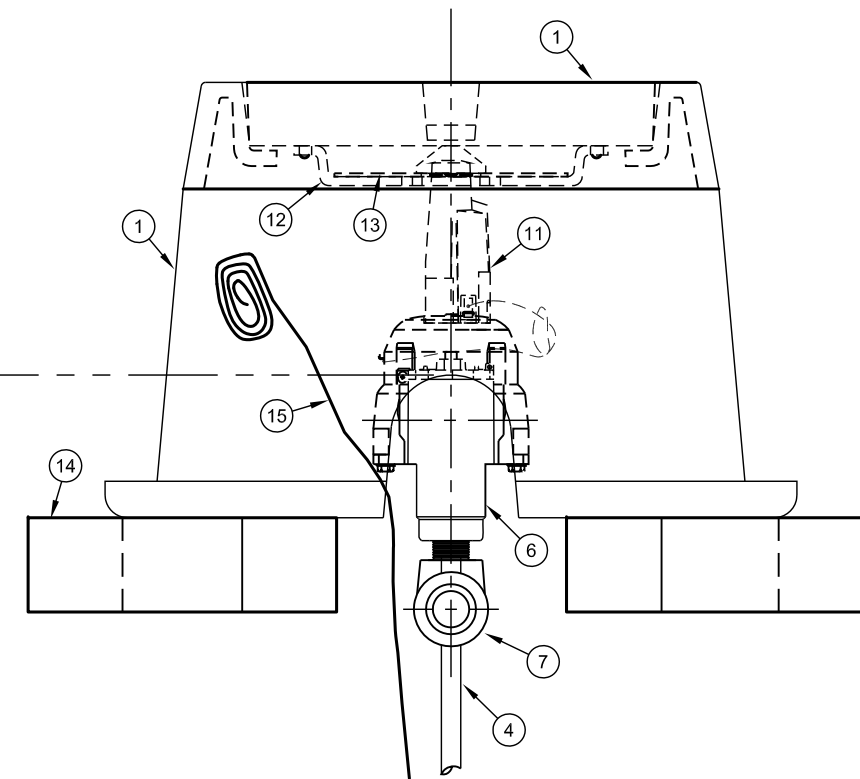
- A. CENTER ANGLE BALL VALVE/ANGLE DUAL CHECK VALVE ( ③/⑥ ) IN METER BOX.
- B. SHOWN AS 3/4" SERVICE, USE 1" COMPONENTS FOR 1" IRRIGATION SERVICE.
- C. SOLVENT WELDS ON PVC PIPE/FITTINGS SHALL BE CLEANED AND PRIMED PRIOR TO APPLYING GLUE.

**NO. DESCRIPTION**

- 1. PLASTIC GREEN METER BOX & GREEN LID
- 2. STUD LOCK, FURNISHED BY CMUD
- 3. ANGLE BALL VALVE W/LOCK WINGS (LOCKED-CLOSED)
- 4. 3/4" COPPER TUBING OR 3/4" HDPE-COPPER TUBING SIZE (CTS)
- 5. 5/8" METER ASSEMBLY, WITH ERT AMR, FURNISHED BY CMUD
- 6. ANGLE DUAL CHECK VALVE - (YOKE STAR NUT x FNPT) - (MULLER H - 14464 - A, FORD HHCA91, OR McDONALD 12 - 3YE OR 112 - 3YE)
- 7. BRASS 90° STREET ELBOW - (MNPT x FNPT)
- 8. SCH 80 PVC ADAPTER (MNPT x SOCKET)
- 9. 3/4" SCH 40 PVC TAIL PIPE (L = 24")
- 10. YOKE BAR
- 11. ERT - ELECTRONIC RADIO TRANSMITTER
- 12. ITRON 6.7" DIA. SHELF MOUNT ADAPTER W/FOAM SPACERS
- 13. ERT HANGER FOR 3/4 AND 1 3/4 INCH WATER METER BOX
- 14. SOLID STANDARD CONCRETE BRICK-DIAGONAL AT CORNERS - 4 EACH.
- 15. AWG #12 GAUGE COPPER TRACER WIRE (THWN) WITH BLUE INSULATION, TERMINATE WITH 24 INCH EXCESS WIRE (COILED) AT METER BOX AND VALVE BOX (TYP.)



TYPICAL ELEVATION



VIEW A-A

NO SCALE

STANDARD NO.	B
VERSION NO.	V1.3
VERSION DATE	8.27.2010

3/4" - 1" IRRIGATION SERVICE DETAIL  
DUAL CHECK AT METER / BACKFLOW AT HOUSE

CHARLOTTE-MECKLENBURG UTILITIES  
STANDARD DETAILS  
WATER

