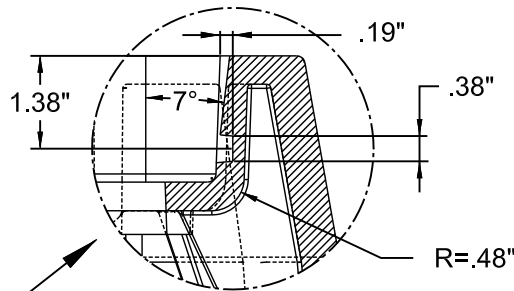
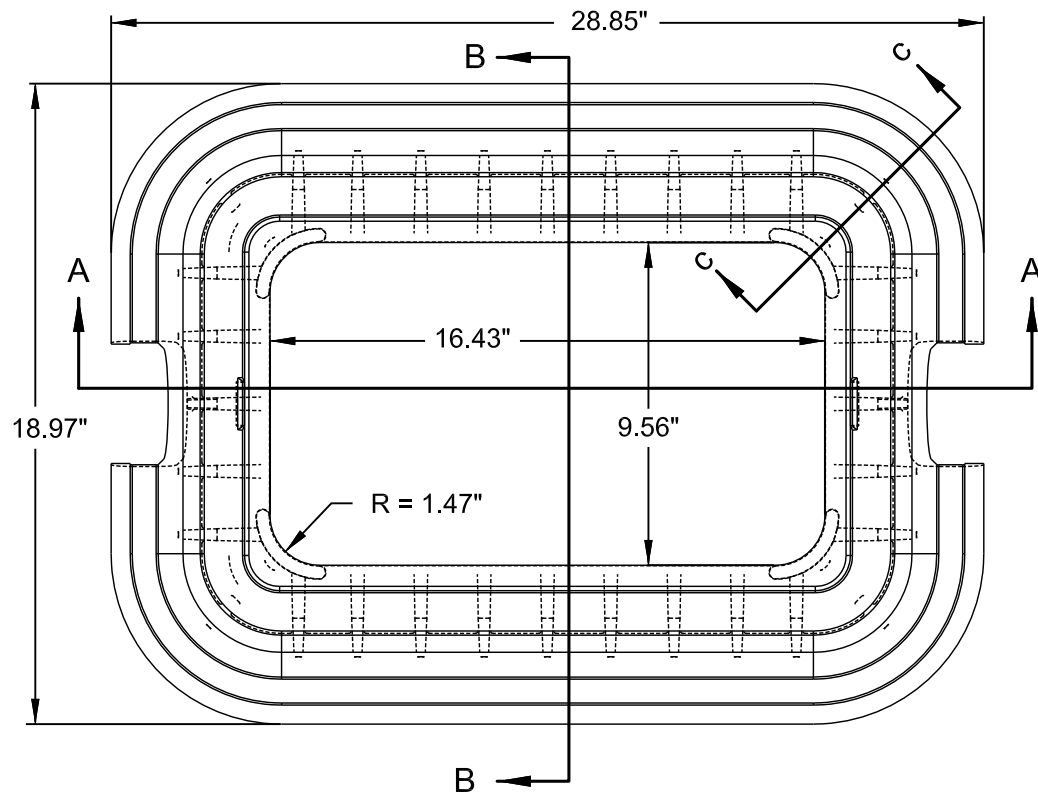
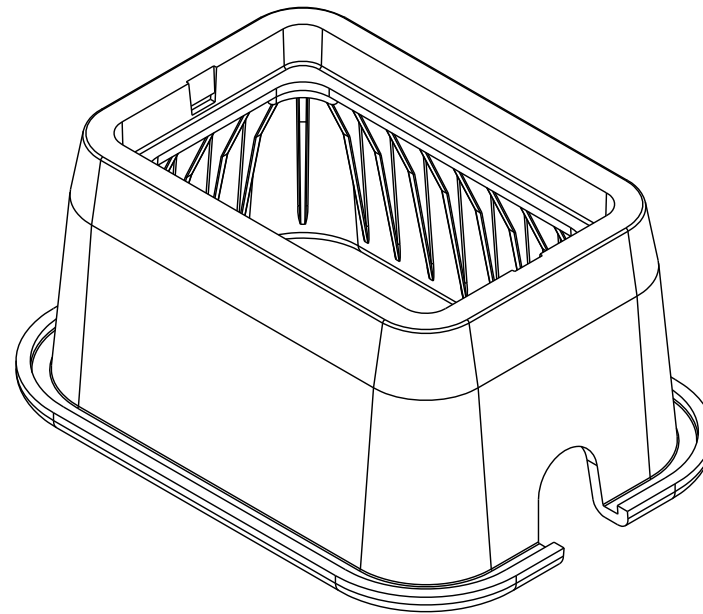
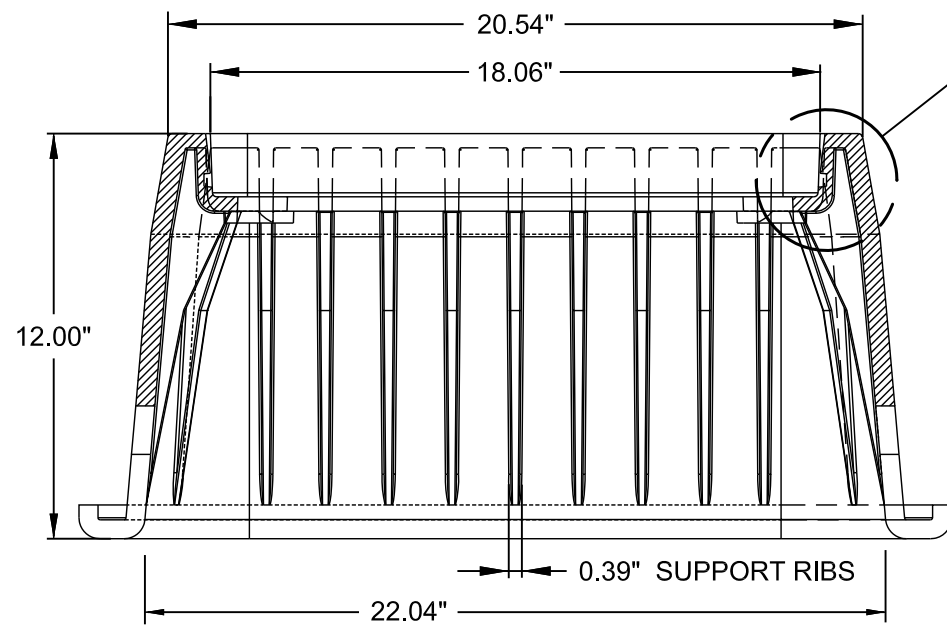


SECTION C-C

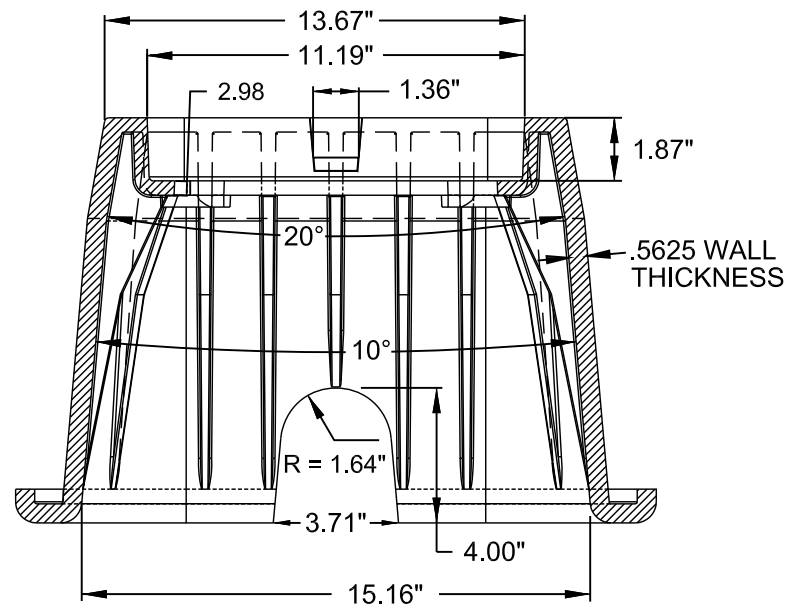
BOX WT. - 15.25#



DETAIL A - SNAP SLOT



SECTION A-A

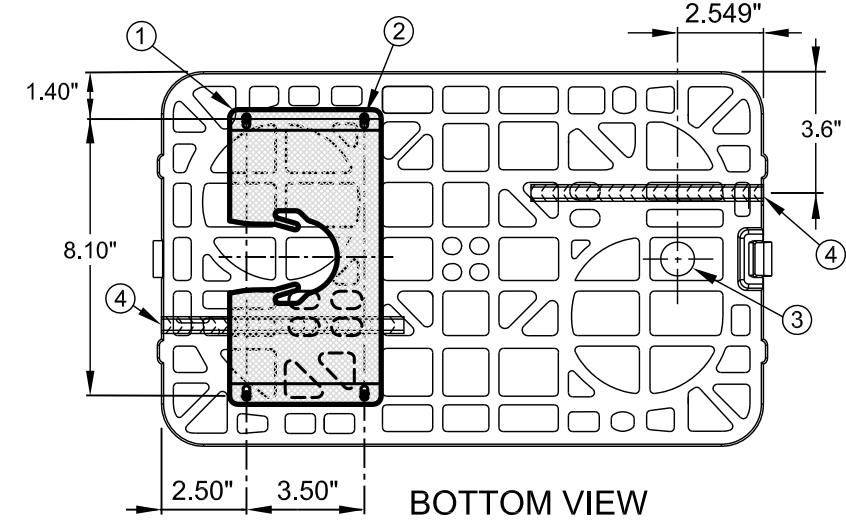
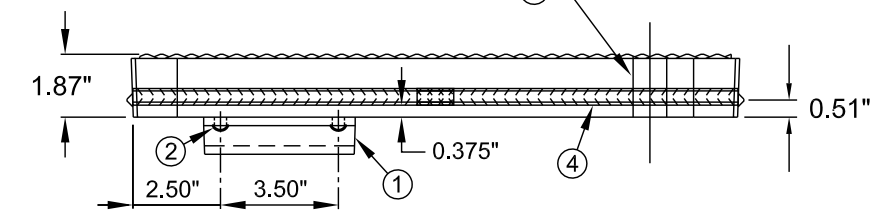
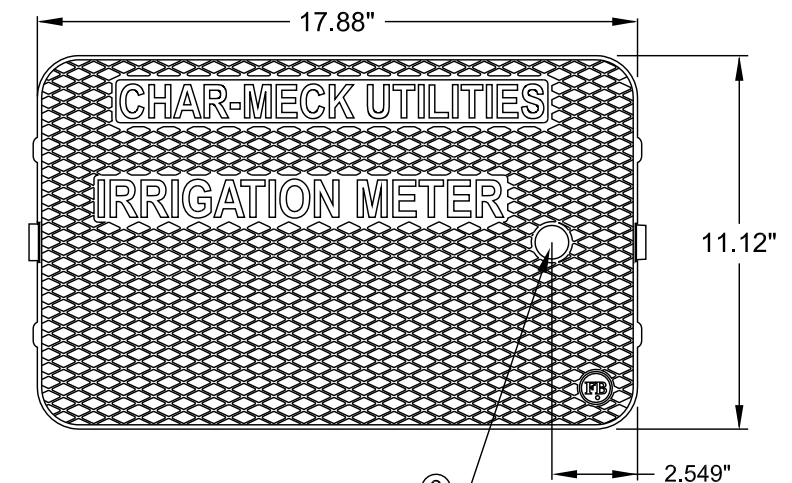
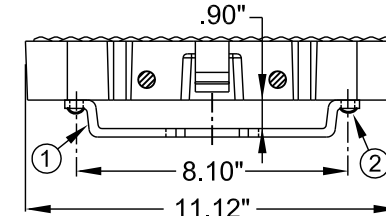
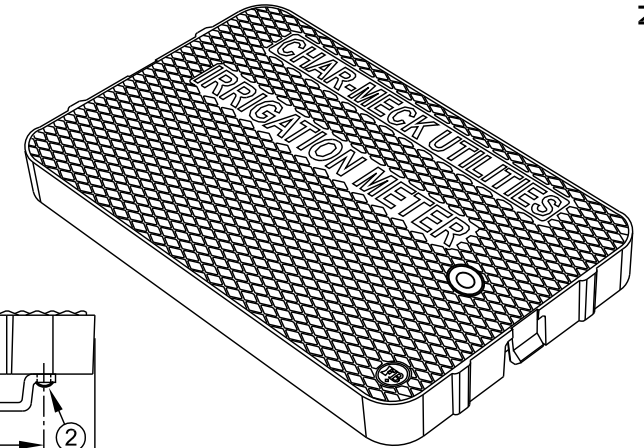


SECTION B-B

NO. DESCRIPTION

1. AMR TRANSMITTER SUPPORT BRACKET
2. # 14 x 3/4 INCH S.S. PAN HEAD SHEET METAL SCREW - 4 EACH
3. 1 INCH DIAMETER PICK HOLE
4. 1/2 INCH DIAMETER REBAR x 2 EACH

LID WT. - 6.0#



BOTTOM VIEW

SUPPLIER/MANUFACTURER: SOUTHEASTERN DISTRIBUTORS MODEL MB17 GREEN BOX & LID (COLOR-PANTONE #355C) WITH AMR TRANSMITTER SUPPORT BRACKET (AS SHOWN)

NO SCALE

STANDARD NO.

A

VERSION DATE

6.24.2010

VERSION NO.

V1.2

3/4 INCH IRRIGATION WATER SERVICE
PLASTIC GREEN METER BOX & GREEN LID

CHARLOTTE-MECKLENBURG
UTILITIES
STANDARD DETAILS
WATER

