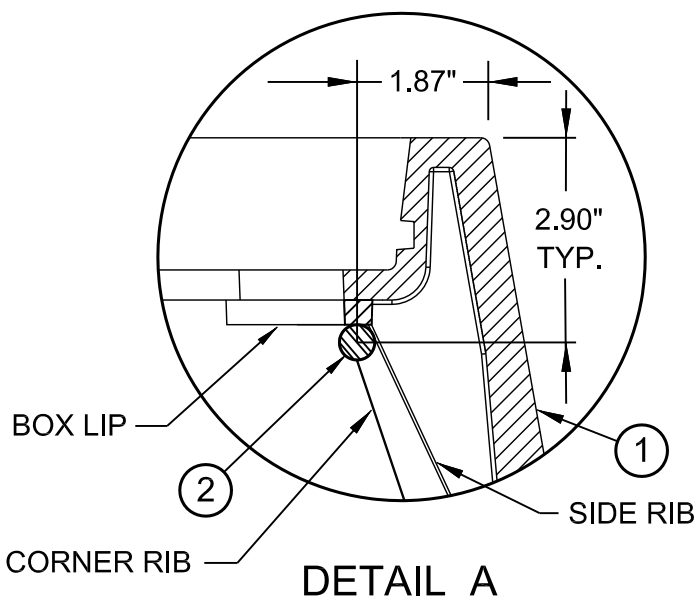


**NO. DESCRIPTION**

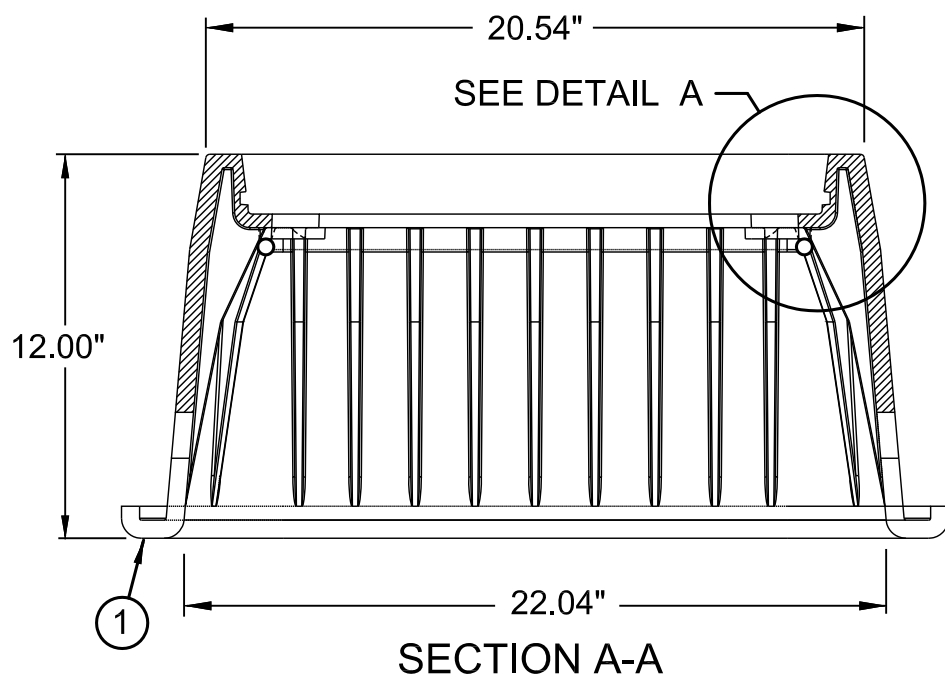
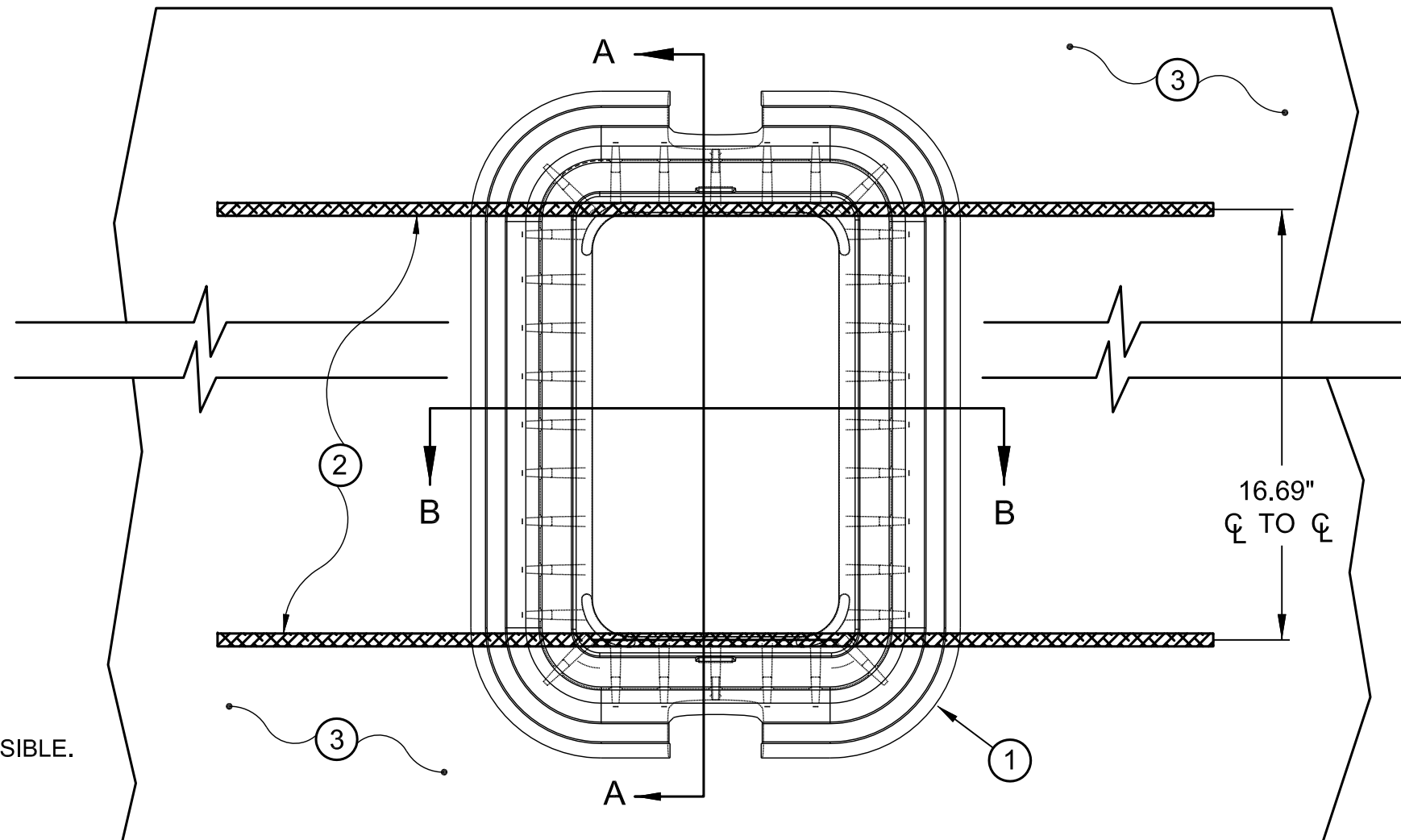
- ① PLASTIC IRRIGATION WATER SERVICE METERBOX
- ② 1/2" DIAMETER REBAR x 2, L = 36 INCHES, INSTALLED THROUGH 1/2 INCH  $\phi$  DRILLED HOLES IN METER BOX WALLS AND CORNER RIBS. LOCATE AS SHOWN WITH BOX LIP AND SIDE RIBS RESTING ON REBAR.
- ③ CONCRETE HARDSCAPE,  $f'c = 3600$  PSI, MINIMUM.



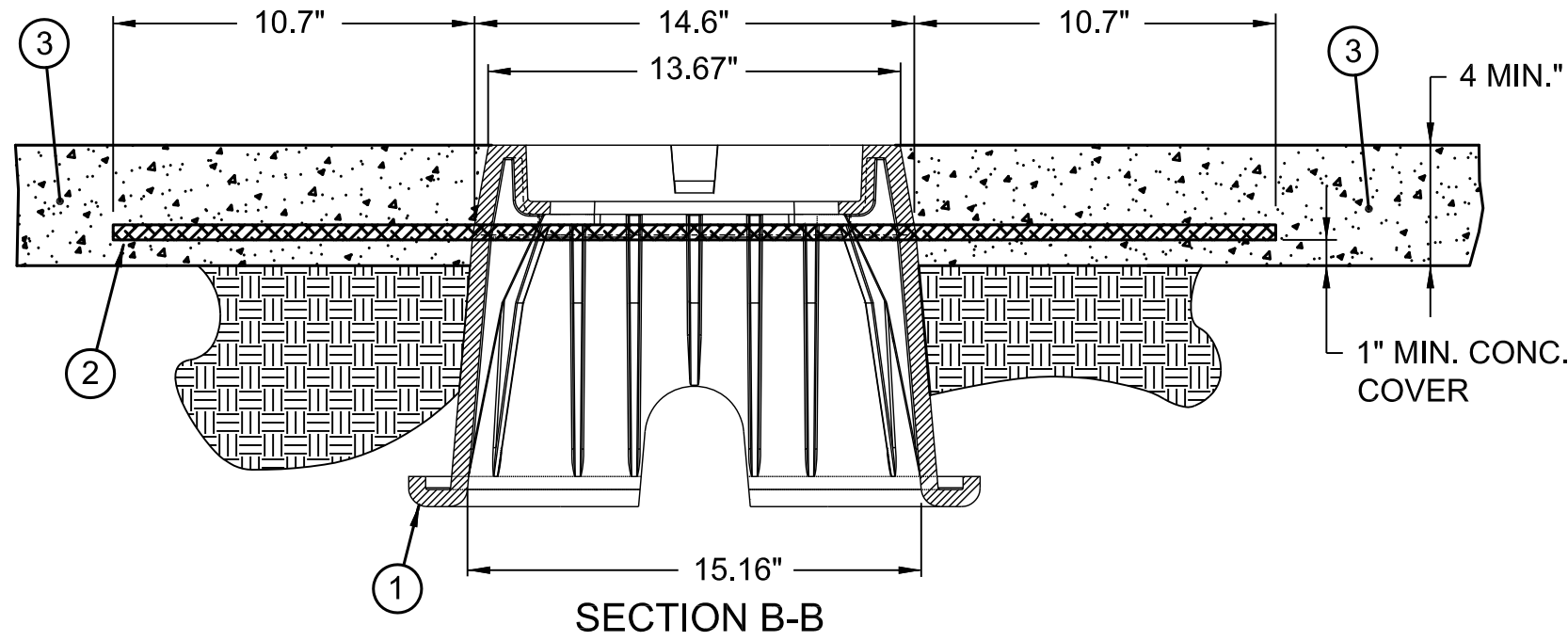
**DETAIL A**

**NOTES:**

- 1. RELOCATE METER BOX OUTSIDE CONCRETE HARDSCAPE WHEN POSSIBLE.
- 2. RELOCATION AND FINAL LOCATION REQUIRES CMUD APPROVAL.
- 3. IF RELOCATION IS NOT POSSIBLE, METER BOX MUST BE LOCATED COMPLETELY WITHIN CONCRETE.
- 4. METER BOX SHALL BE SET FLUSH WITH CONCRETE.



**SECTION A-A**



**SECTION B-B**

NO SCALE

STANDARD NO. E

VERSION NO. V1.0  
VERSION DATE 8.4.2009

3/4 INCH IRRIGATION WATER SERVICE  
METER BOX INSTALLATION IN CONCRETE SIDEWALK

CHARLOTTE-MECKLENBURG  
UTILITIES  
STANDARD DETAILS  
WATER

