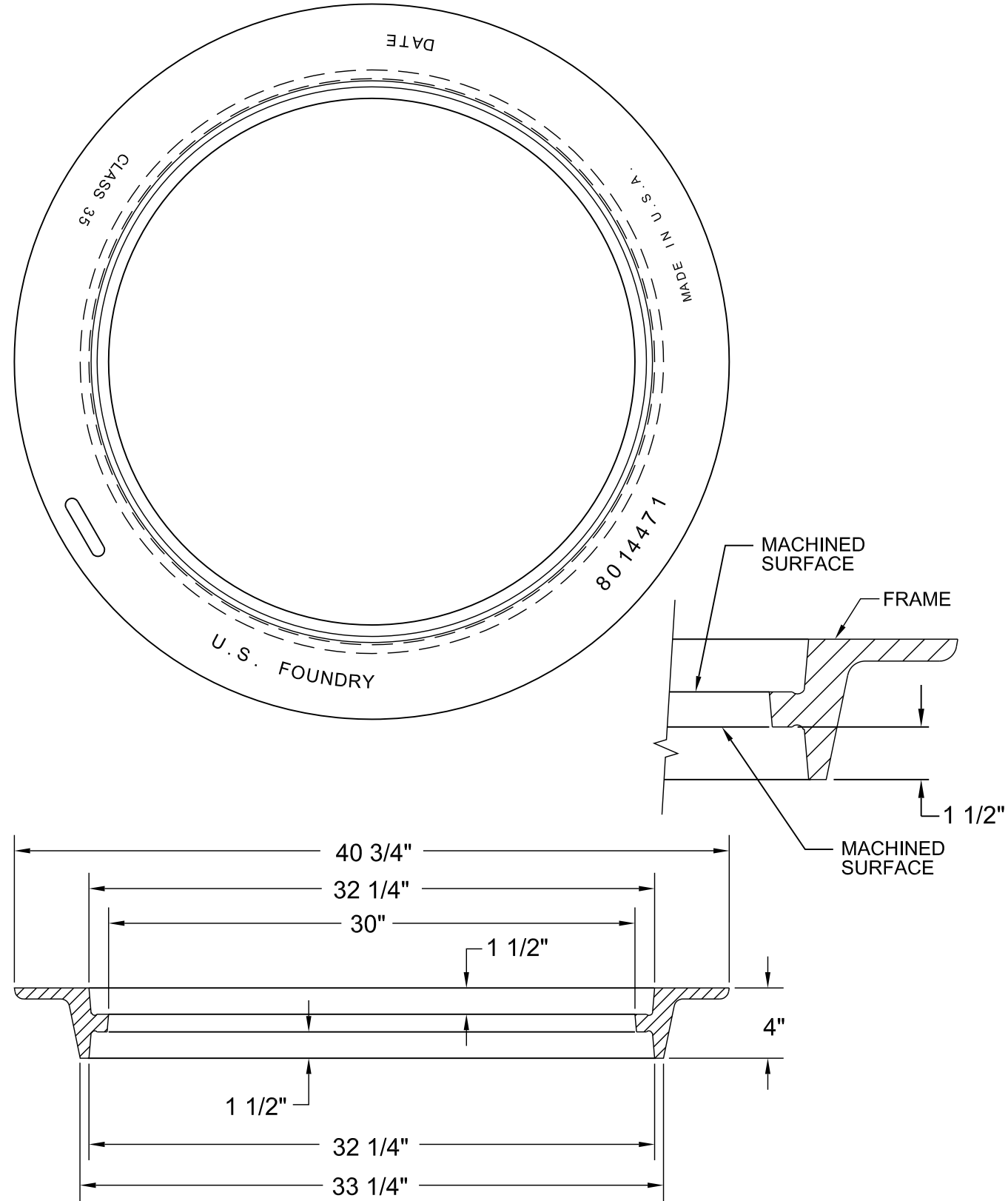


U.S. FOUNDRY & MFG. CORP.

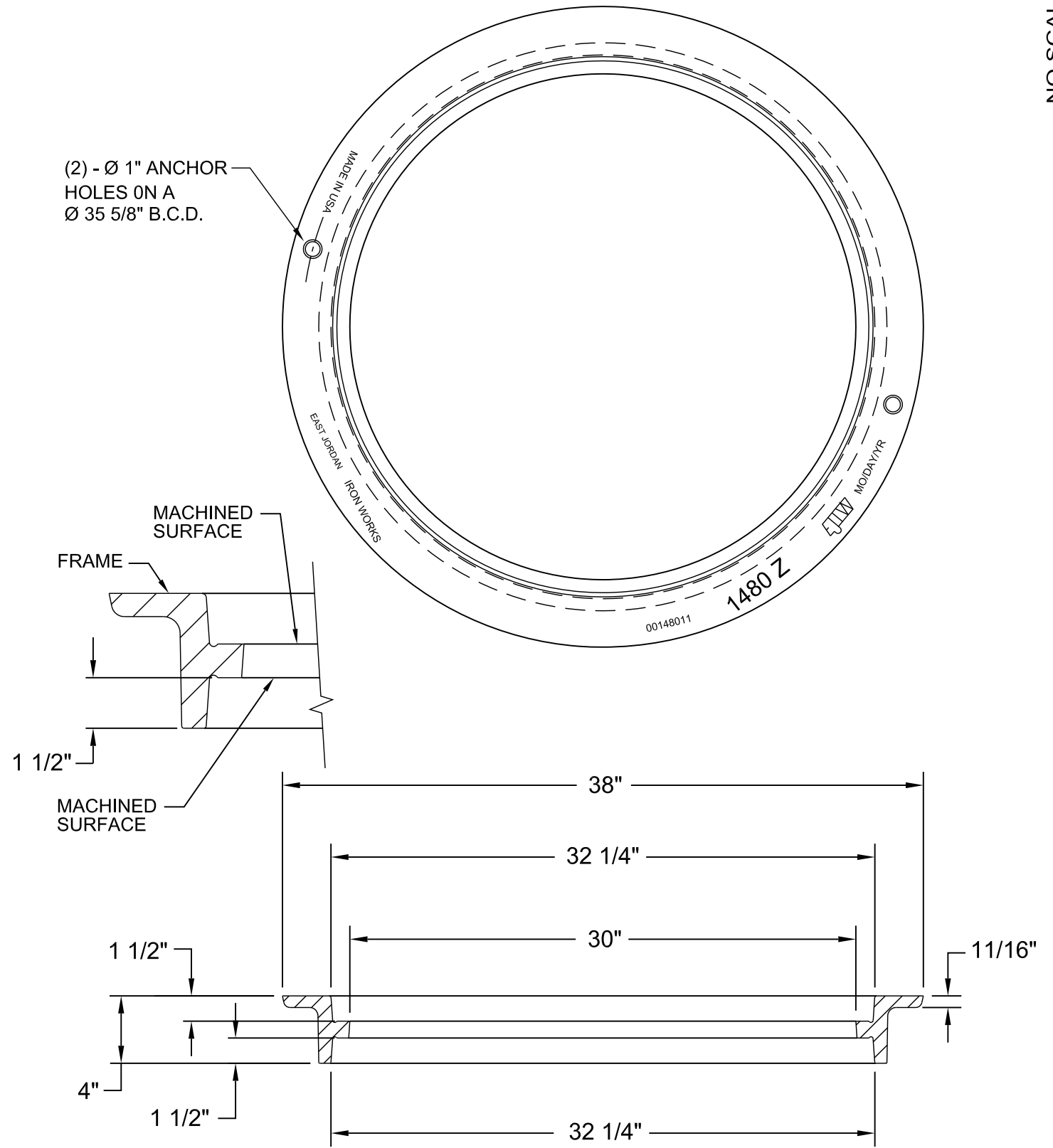


WEIGHT - 175 LB. MIN. , 0% MINUS TOLERANCE

NOTES:

LOAD RATING - HEAVY DUTY
 MATERIAL - ASTM A48 - CLASS 35 GRAY IRON
 COATING - UNDIPPED

EAST JORDAN IRON WORKS



WEIGHT - 154 LB. MIN. , 0% MINUS TOLERANCE

NO SCALE
STANDARD NO. K
VERSION NO. V1.1
VERSION DATE 8.19.2009

TYPE E MANHOLE FRAME
30-INCHES DIAMETER (CLEAR OPENING)
4-INCHES TALL - INVERTED/REVERSIBLE (CAST IN)

CHARLOTTE-MECKLENBURG UTILITIES
 STANDARD DETAILS
 GRAVITY SEWER



USE WITH TYPE 4 OR 5 COVER
 FRAME SHALL CONFORM TO DIMENSION AND WEIGHT REQUIREMENTS.
 FRAME SHALL NOT BE OUT OF ROUND.