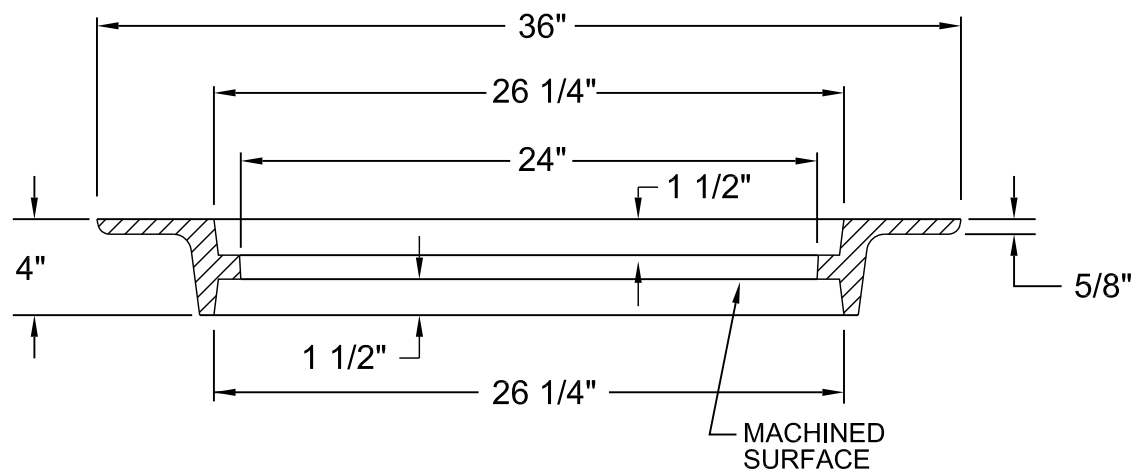
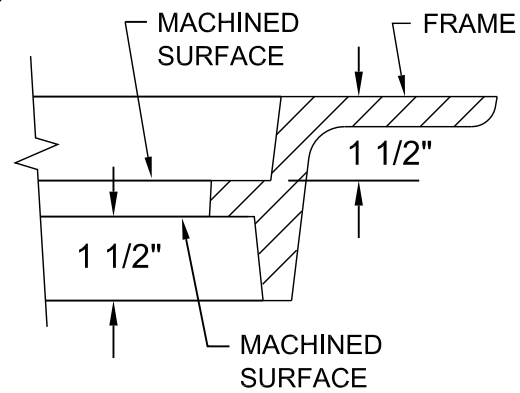
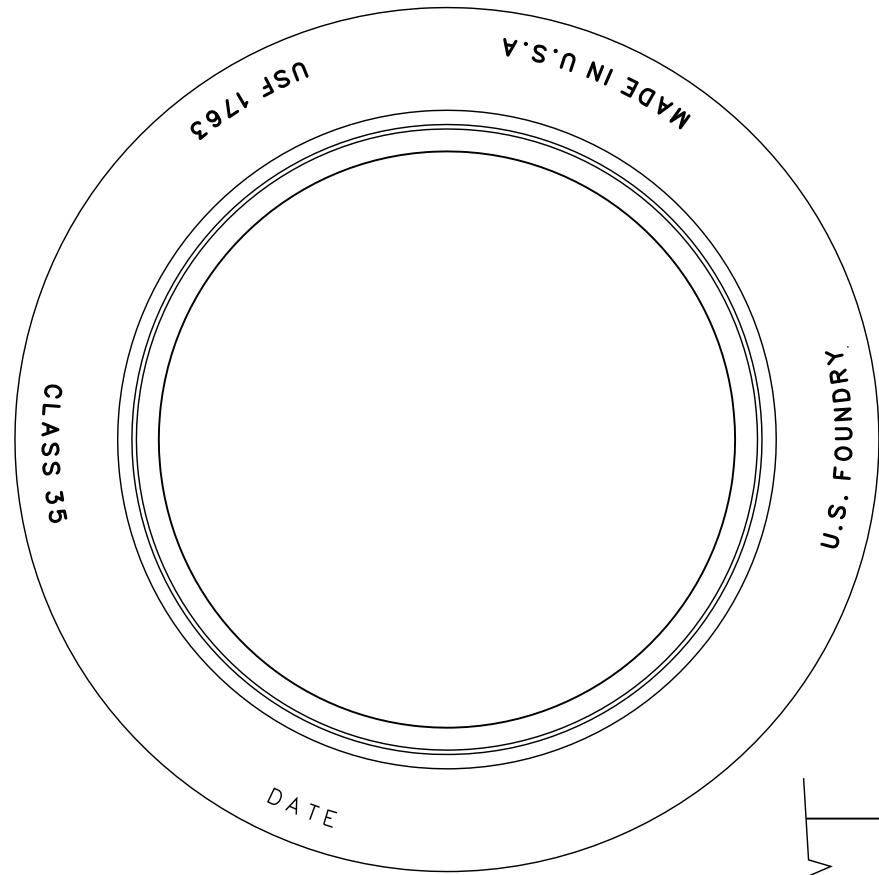


U.S. FOUNDRY & MFG. CORP.



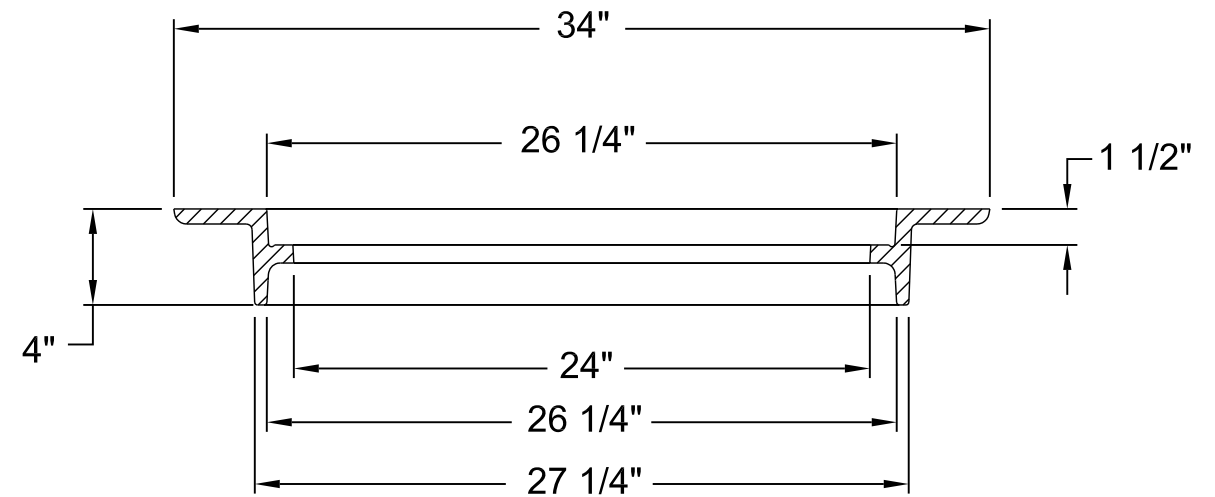
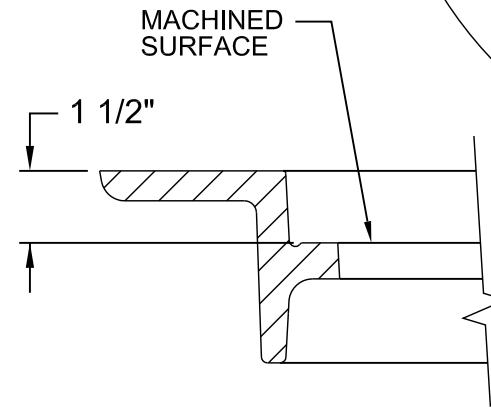
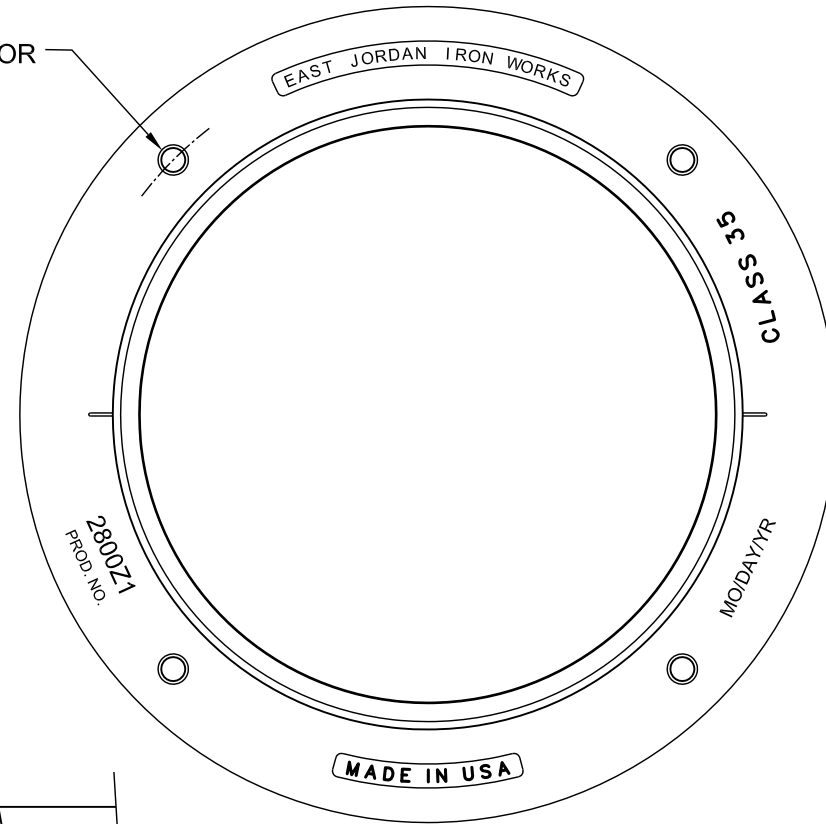
WEIGHT - 150 LB. MIN. , 0% MINUS TOLERANCE

NOTES:

LOAD RATING - HEAVY DUTY
 MATERIAL - ASTM A48 - CLASS 35 GRAY IRON
 COATING - UNDIPPED

EAST JORDAN IRON WORKS

(4) - Ø 1" ANCHOR HOLES ON A Ø 31" B.C.D.



WEIGHT- 121 LB. MIN. , 0% MINUS TOLERANCE

NO SCALE

STANDARD NO.	H	VERSION DATE	8.19.2009
VERSION NO.	V1.1		

TYPE C MANHOLE FRAME
 24-INCHES DIAMETER (CLEAR OPENING)
 4-INCHES TALL - INVERTED/REVERSIBLE (CAST IN)

CHARLOTTE-MECKLENBURG UTILITIES
 STANDARD DETAILS
 GRAVITY SEWER



USE WITH TYPE 1, 2, OR 3 COVER
 FRAME SHALL CONFORM TO DIMENSION AND WEIGHT REQUIREMENTS.
 FRAME SHALL NOT BE OUT OF ROUND.