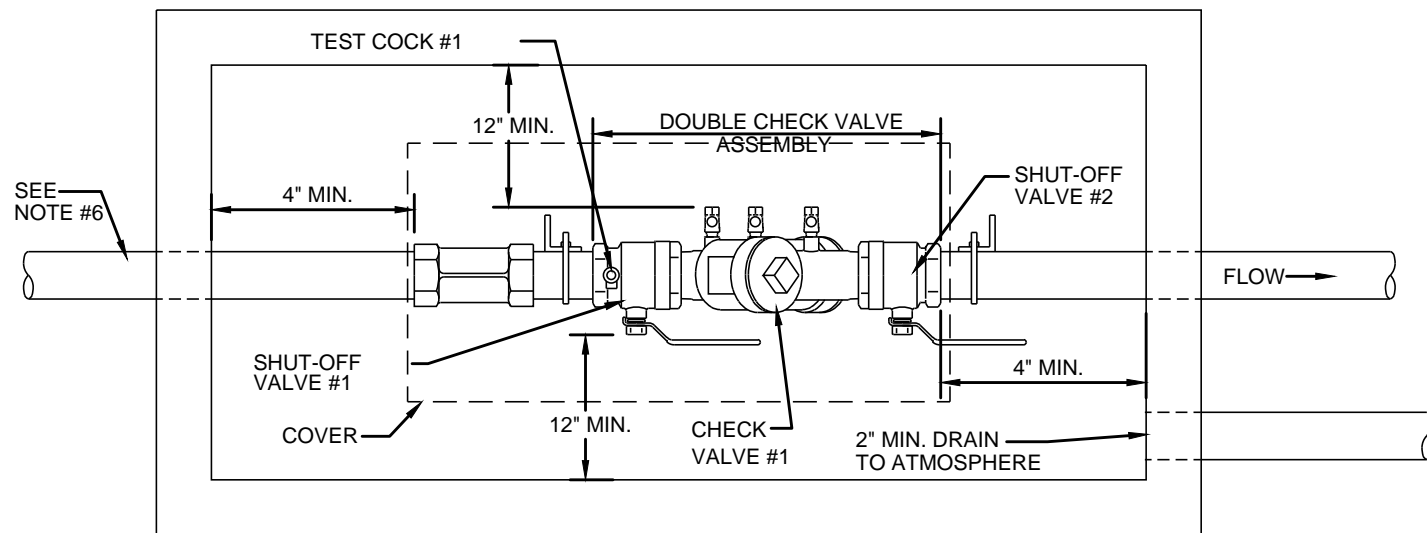
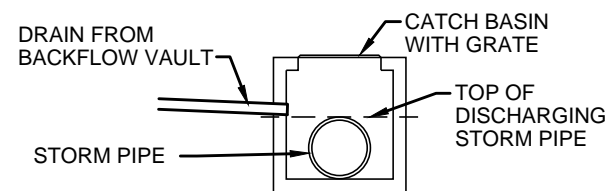


ELEVATION VIEW



PLAN VIEW

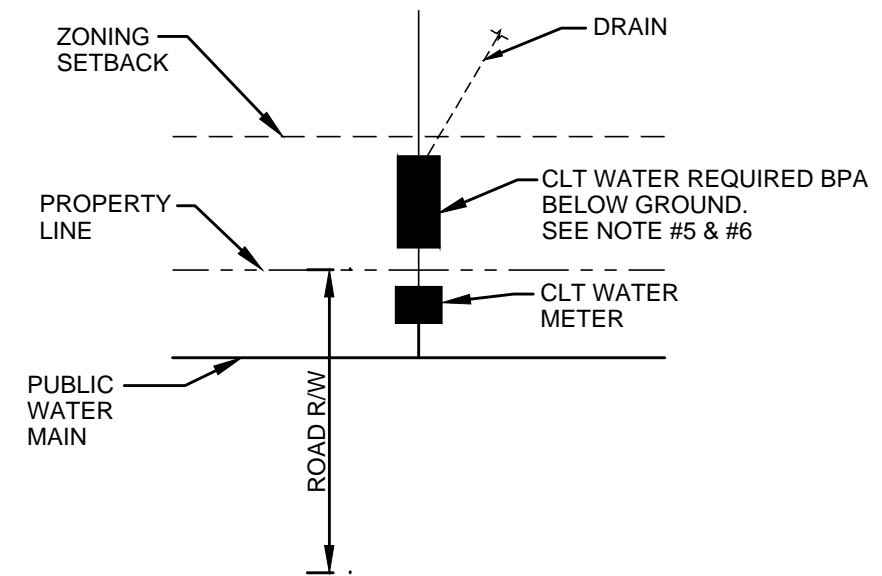


DRAIN ALTERNATIVE:

TIE INTO CATCH BASIN OR STORMWATER MANHOLE PER DETAIL SHOWN ABOVE. NO TIE IN TO STORMWATER PIPE WILL BE ACCEPTED.

NOTES:

1. BACKFLOW PREVENTION ASSEMBLIES (BPA's) SHALL CONFORM TO CLT WATER SPECIFICATIONS. SHUT-OFF VALVES ARE SPECIFIC TO EACH APPROVED BPA AND NO SUBSTITUTIONS OF SHUT-OFF VALVES ARE PERMITTED. REFER TO CLT WATER APPROVED LIST OF BPA's.
2. PIPE MATERIAL AND FITTINGS SHALL BE AS SPECIFIED IN CLT WATER STANDARDS & SPECIFICATIONS.
3. VAULT, DOORS OR COVERS AND SUPPORT OF ASSEMBLY SHALL BE DESIGNED BY OWNER AND AS REQUIRED.
4. DRAIN INLET MAY BE PROVIDED AS SHOWN OR AS FLOOR DRAIN.
5. ALL LOCATIONS FOR BPA'S REQUIRE CLT WATER APPROVAL.
6. THERE SHALL BE NO TAPS, PIPING BRANCHES, UNAPPROVED BYPASS PIPING, HYDRANTS, FIRE DEPT. CONNECTION POINTS, OR OTHER WATER - USING APPURTENANCES CONNECTED TO THE SUPPLY LINE BETWEEN ANY WATER METER AND ITS CLT WATER - REQUIRED BACKFLOW PREVENTER.
7. EACH CLT WATER-REQUIRED BPA IS REQUIRED TO BE TESTED BY A CLT WATER - APPROVED CERTIFIED TESTER PRIOR TO PLACING THE WATER SYSTEM IN SERVICE. TEST RESULTS SHALL BE SUBMITTED TO CLT WATER WITHIN 30 DAYS AND TESTED ANNUALLY THEREAFTER SUBMITTING RESULTS TO CLT WATER.
8. INSTALLATIONS INTENDED FOR ADDRESSING CLT WATER REQUIREMENTS, REQUIRE PRIOR APPROVAL FROM THE APPROPRIATE CLT WATER BACKFLOW INSPECTOR.



TYPICAL LOCATION REQUIREMENT FOR BELOW GROUND INSTALLATION

N.T.S.

| |
|-----------------------|
| NO SCALE |
| STANDARD NO. 6 |
| VERSION NO. 1.1 |
| VERSION DATE 5.3.2016 |

DOUBLE CHECK VALVE ASSEMBLY (DC)
1 1/2" & 2" BELOW GROUND VAULT

CHARLOTTE WATER
STANDARD DETAILS
BACKFLOW PREVENTION